

VU Research Portal

Epstein-Barr virus encoded BARP1 protein: immunopathogenic role, transcriptional regulation and diagnostic use in nasopharyngeal carcinoma

Hoebe, E.K.

2014

document version

Publisher's PDF, also known as Version of record

[Link to publication in VU Research Portal](#)

citation for published version (APA)

Hoebe, E. K. (2014). *Epstein-Barr virus encoded BARP1 protein: immunopathogenic role, transcriptional regulation and diagnostic use in nasopharyngeal carcinoma*. [PhD-Thesis - Research and graduation internal, Vrije Universiteit Amsterdam].

General rights

Copyright and moral rights for the publications made accessible in the public portal are retained by the authors and/or other copyright owners and it is a condition of accessing publications that users recognise and abide by the legal requirements associated with these rights.

- Users may download and print one copy of any publication from the public portal for the purpose of private study or research.
- You may not further distribute the material or use it for any profit-making activity or commercial gain
- You may freely distribute the URL identifying the publication in the public portal

Take down policy

If you believe that this document breaches copyright please contact us providing details, and we will remove access to the work immediately and investigate your claim.

E-mail address:

vuresearchportal.ub@vu.nl



General Introduction

General Introduction

1. General Introduction

Epstein-Barr virus (EBV) is a human gamma-1 herpesvirus, also named human lymphocryptovirus or human herpesvirus 4 (HHV-4). EBV infects over 90 % of the world population via salivary contact and persists in its host for life, usually without complications. Primary infection frequently goes unnoticed early in life, but may cause infectious mononucleosis (IM) if acquired during adolescence or adulthood. Besides being the etiological agent of IM, EBV has been found to play a diverse and complex role in multiple chronic and malignant diseases occurring worldwide (1,2). EBV was first described in 1964 by Anthony Epstein and Yvonne Barr who discovered herpes virus-like particles in Burkitt lymphoma derived cell lines (3,4). EBV is considered to be a vital component in the pathogenesis of African Burkitt lymphoma in conjunction with Malaria infection and chromosomal defects (5,6). Almost fifty years of research has shown that EBV has developed a complex and intricate relationship with its human host. EBV exists in a tight balance with the human immune system demonstrated by the high incidence of B cell lymphoproliferative diseases that occur in immunocompromised individuals, including transplant recipients, HIV/AIDS patients and elderly (7,8).

The virus initially infects submucosal B cells in the naso-/oropharynx and transforms these into latently infected long lived memory cells, which are essential for virus persistence. EBV has dual tropism *in vivo* infecting B lymphocytes and epithelial cells (9-11). This dual tropism is reflected by its association with several lymphomas and carcinomas, where distinct viral gene products support viral genome maintenance and contribute to the oncogenic process (12-15). The immune system strongly responds to EBV infected cells maintaining a lifelong well-balanced equilibrium, but the virus can evade elimination by restricting the number of expressed genes to a bare minimum, so called latency (15,16). This latent state, which is regulated by a small subset of viral genes, enables the virus to persist lifelong in the human host (12).

Table 1. Expression profiles of viral latent genes in EBV associated disorders

Latency type	Expression profile	Associated disease
Latency I	EBERs, BARTs, EBNA1	Burkitt's Lymphoma
Latency I +	EBERs, BARTs, EBNA1 + BARF1, LMP2A	Gastric Carcinoma
Latency II	EBERs, BARTs, EBNA1, LMP1, LMP2A/B	Hodgkin's Lymphoma Non Hodgkins Lymphoma
Latency II +	EBERs, BARTs, EBNA1, LMP1, LMP2A/B + BARF1	Nasopharyngeal Carcinoma
Latency III	EBERs, BARTs, EBNA1/2/3A/3B/3C/LP, LMP1, LMP2A/B	Post Transplant Lymphoproliferative Disorders AIDS-related Lymphomas Infectious Mononucleosis Lymphoblastoid Cell Line (LCL)

2. Biology of EBV infection

2.1 B lymphocyte infection

Primary EBV infection occurs in the oropharyngeal cavity via salivary contact. Although EBV can infect both epithelial and lymphoid cells, mature B lymphocytes are considered the primary target for infection as the virus is not found in individuals with a B cell deficiency (17). EBV virions cross the epithelial barrier of the tonsil crypt to reach the submucosal naïve B lymphocytes (18,19). B cell infection occurs mainly through interaction of the major viral envelope glycoprotein gp350/220 with complement receptor type 2, named CD21 or CR2, on the B cell surface (20-22). Interaction of the gp42/gp85/gp25 trimolecular complex is necessary for efficient endocytosis and fusion (23,24) after which the capsid travels into the nucleus, degrades and releases the viral linear DNA. The binding of EBV triggers a series of events mimicking the antigen-driven germinal center differentiation program towards memory B cells. Newly EBV infected cells become activated through the CD21 receptor and differentiate into B blasts. From the incoming viral genome, EBNA2 and EBNA leader protein (-LP or EBNA5) are the first proteins expressed, driven from the unmethylated W-promotor (Wp) (25,26). EBNA2 promotes B cell activation as a functional Notch1 homologue (27) and upregulates cMYC and RUNX expression via interaction with CBF1, also named RBP-Jk (28-30). Subsequently, the EBNA3A,3B,3C proteins counteract the strong EBNA2 effects by competing for RBP-Jk and modify the host genome by defined methylation (e.g. of the Bim promoter), and their own Wp, creating a switch to the adjacent C-promotor for their expression (25), EBNA2 initially drives LMP1 expression which provides strong and crucial growth and survival functions to the infected cell (Blast-stage growth). Subsequently, EBNA1 is expressed from the Cp and the host cell DNA repair enzymes are used for circularization of the viral genome at the terminal repeats (31), a process that is essential for subsequent establishment of viral latency. Upon circularization of the viral genome, LMP2a, is expressed from a coding region crossing the repeats, and provides signals necessary to rescue activated blasts into memory B cells. In addition several non-coding viral RNA molecules, including EBER1, EBER2, BHRF1, BARTs, become expressed that stabilize the newly transformed cell by interfering with the host endogenous homeostasis, but which are not essential for growth transformation. This initial EBV infection is also referred to as the B-cell transformation process and takes 24-48 hours to be established (12). This way EBV effectively turns naïve B-cells with a defined lifespan into immortalized cells, that can be cultured indefinitely and cause tumors in nude mice (oncogenic potential). LMP1, a ligand independent “constant firing” functional homologue of CD40, mimics the growth and activation signals otherwise given by CD40 ligand on activated T helper cells (32-35). LMP2a mimics the B cell receptor survival signal (36,37). LMP1 is the major transforming gene of EBV and has many properties that mediate constitutive, antigen-independent B cell activation, it protects the B cell from apoptosis by Bcl-2 upregulation, and induces immune suppressive IL-10 (38-40). EBNA1 is essential for maintenance of the EBV genome in dividing cells. The B cell now follows the growth program also called latency type III, (Table I). Proteins from the EBNA3 family

continue the transformation process by activating G1 cell cycle progression and downregulating EBNA2, whereas LMP1 ensures survival via Bcl-2 upregulation and LMP2 driven signals upregulate Bcl-6 expression, inducing follicle migration (41). After the B cell has migrated to the follicle it switches to a more restricted expression profile with further Wp/Cp silencing by methylation, allowing Q-promotor driven EBNA1 expression in combination with LMP1 and LMP2a, which is known as the default program or latency type II. As a final step to viral persistence in memory B cells, all EBV latent genes are silenced by promotor methylation and other epigenetic regulatory mechanisms (42,43), except EBNA1 and the non-coding transcripts EBER1,2 and BARTs, driven by non-methylated promoters. The latter stage is known as latency program or latency type I. During latency, the circular EBV genome forms an episome bound by EBNA1 at a genomic region called Ori-P (see for details later) and is tethered by EBNA1 to the host chromosome via AT-rich sequences in host chromosomes, ensuring reliable replication in each cell division. EBNA1 is therefore considered essential for replication and maintenance of the EBV genome in infected dividing cells (44). Only in rare cases EBV is integrated in host cell DNA (45).

2.2 Epithelial cell infection

The mechanism of infection, virion release, and virus spread in epithelial cells is not well understood. Although the mucosal epithelium of the oropharyngeal surface may serve as a portal of entry for EBV during primary infection and as the pathway of exit for progeny virions (18,19), EBV replication can rarely be detected in post-mortem tongue or salivary gland biopsies of immunocompetent EBV carriers (46) and the site of EBV replication causing its abundance in naso-/oropharyngeal mucosal secretions remains to be defined. Productive EBV infection of the oral mucosal epithelium can be found in oral hairy-leukoplakia (OHL), a hyperplasia associated with immunodeficiency in AIDS patients (47,48), and the only clinical syndrome associated with lytic viral replication. In contrast to B cells, EBV does only very inefficiently infect epithelium *in vitro* (49,50) unless specific steps are undertaken to facilitate binding and entry (51-56). Epithelial cells do not or only express limited amounts of CD21 (57), suggesting that the mechanism is CD21 independent (54,58). Tugizov et al. (19) studied EBV infection in polarized tongue and pharyngeal epithelial cells, and suggested three pathways of CD21-independent cell entry i.e. (A) cell-to-cell transmission by direct contact of apical cell membranes with EBV infected B lymphocytes, (B) by entry of cell-free virions through basolateral membranes mediated in part through an interaction between $\beta 1$ or $\alpha 5\beta 1$ integrins and the EBV-BMRF2 envelope protein containing an RGD motif (59), or (C) after initial infection virus may spread directly across lateral membranes to adjacent epithelial cells (19,51). More recent studies support pathway A; direct transfer from B to epithelial cells (56,60). Another mechanism was suggested by Sixbey and Yao (55) who suggested that EBV virions produced by submucosal B lymphocytes can be internalized via the epithelial polymeric immunoglobulin receptor (pIgR) when in complex with EBV-specific IgA (55,61,62). Other researchers have found that infection of epithelial cells mainly depends

on glycoprotein gp85/gp25 complex, also named gHgL (63). Virus without this complex loses its capability to infect a gastric carcinoma cell line (23,64). The receptor for the gHgL complex is still unknown. Another glycoprotein playing a role in epithelial cell infection is gp42. For B cell infection, gp42 cooperates with gp85 and gp25 in a trimolecular complex (65,66). Borza and Hutt-Fletcher found that virus derived from HLA-class II positive B cells has less gp42 on its surface than virus derived from HLA-class II negative epithelium (65,67). Gp42 is trapped by endogenous MHC class II of the B cells and becomes therefore a target for degradation. Gp42-high virus from epithelial cells was more infectious for B lymphocytes, using MHC-II as co-receptor, while gp42-low virus from B cells was more infectious for epithelial cells. gp42 is not required for infection of epithelial cells, therefore, gp42 could act as a tropism switch (24). gB or gp110 is a protein well conserved among herpesviruses that only recently has been found to be of importance for viral infection. Activated gH/gL is thought to help gB achieve its fusogenic potential (68-70). gp110 seems to determine cellular tropism since it is more important for epithelial cell penetration than for lymphocytes (70,71). It is very well possible that inflammation or damage of epithelial cells in the oropharyngeal cavity or stomach by smoking or dietary habits might affect viral entrance, enabling epithelial cell infection.

3. EBV replication

3.1 Lytic replication

Being a gamma herpesvirus, EBV can be present in cells in either latent, or lytic form. Lytic replication, required for progeny virus production, follows differentiation of B cell into plasma cells but also occurs in epithelial cells (9,72,73). The expression of viral genes during lytic reactivation follows a specific order. First, the immediate early (IE) genes are expressed, followed by the early lytic genes (EA) and the late genes (L) (Figure 1). The switch from latent to lytic Epstein-Barr virus (EBV) infection is mediated by the viral immediate-early (IE) proteins, BZLF1 (Z, Zta, ZEBRA, EB1) and BRLF1 (R, Rta) (74). Z and R are transcription factors which autostimulate their own expression, reciprocally activate each other, and cooperatively induce expression of all early lytic viral proteins, driving the virus to replicate (72,75,76). Lytic replication differs from the latent amplification state and is mediated by the virus encoded DNA polymerase (BAFL5) using the 2 oriLyt sequences as replication origin, and results in the nucleo-cytoplasmic assembly and release of infectious viral particles (72,75).

In most asymptomatic carriers of EBV, the virus is periodically replicated. *In vivo*, replication can be triggered when a memory B cell encounters antigen or receives T cell signaling via CD40 (77,78). Also environmental factors such as chemicals (butyrates, nitrosamines), gamma radiation, inflammation, and cellular factors such as overexpression of p53 (79) are thought to trigger EBV lytic reactivation. *In vitro*, this effect can be mimicked in B lymphocytes and epithelial cells by a variety of treatments such as tetradecanoyl phorbol acetate (TPA), Ca²⁺ ionophore, sodium butyrate (NaB), transforming growth factor beta 1

(TGF- β 1), and hypoxia, or with anti-IgG, the latter being the most natural way of reactivation (80-84). The early genes (EA) encode predominantly proteins involved in nucleotide metabolism and host cell survival, and enzymes needed for viral DNA replication (9,72). Recently, BARF1 has been shown to be expressed as an EA gene, possibly necessary for its immune modulating role (85,86). Following viral DNA synthesis the late (L) gene products are expressed which are mainly consisting of structural capsid and envelope glycoproteins, but also immune modulating and anti-apoptotic factors (9,72). This finally results in the formation of progeny virus.

Viral DNA synthesis and consequently virion production can be blocked by specific antiviral agents such as phosphonoacetic acid (PAA), or phosphonoformic acid, also called Foscarnet, that directly inhibit the virus encoded DNA polymerase BALF5, or acyclic nucleoside analogs such as (val)ganciclovir and (val)acyclovir, that require viral protein kinase (BGLF4) or thymidine kinase (BXLF1) to become tri-phosphorylated in the target cell and then cause host and viral DNA-chain termination leading to apoptotic cell death (87). These agents are widely used to treat diseases linked to lytic virus replication, e.g. oral hairy leukoplakia. However, these drugs have little or no value for treatment in clinical syndromes associated with latent stage replication, such as mononucleosis and cancer.

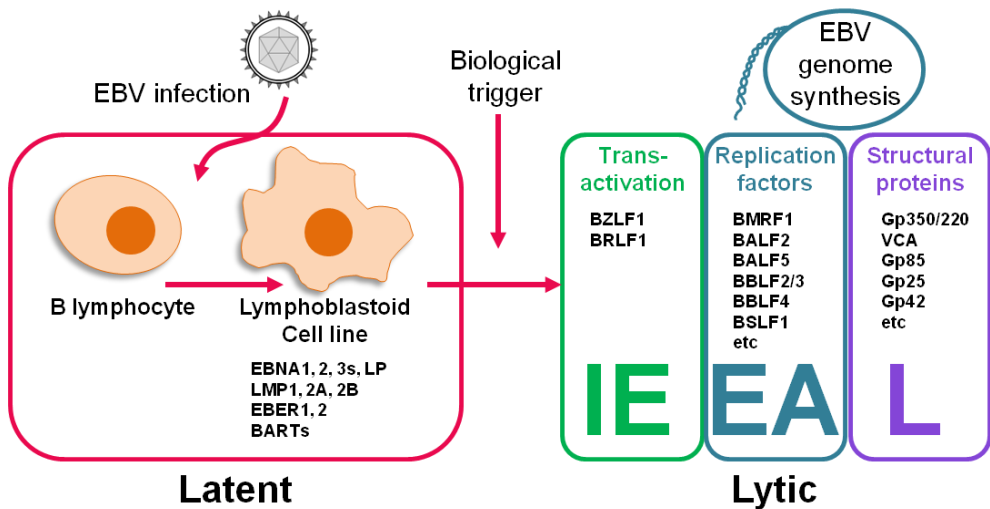


Figure 1. Overview of EBV gene expression patterns. Epstein-Barr virus infection can be latent or lytic. After induction of the lytic cycle, Immediate Early (IE), Early (EA), and Late (L) genes are expressed in sequential order. Adapted from Tsurumi et al. (77).

3.2 Latent replication

In latency, EBV expresses only a few genes necessary for viral genome persistence, altering signal transduction and cell cycle control, causing apoptosis inhibition, and modulation of immune recognition. The latency type of an EBV positive cell is defined by the expression pattern of latent genes (Table 1), while the rest of the viral episome is transcriptionally

silenced via methylation (72,88-91). During cell division the viral episome(s) reliably replicates once per cell cycle, simultaneously with the host chromosomes (44). In latency, no viral enzymes are involved, and viral genome replication solely relies on the cellular replication machinery. The pivotal viral protein during latent infection is EBNA1, which is essential for the maintenance and replication of the EBV genome (92-94). EBNA1 functions as multimeric dimer to bind sequence specific to the origin of latent viral replication on the episome, oriP (95). OriP contains two functional elements, the dyad symmetry element (DS) (96) and the family of repeats (FR)(95). The DS contains four EBNA1 binding sites and is the initiation site of DNA replication. The FR contains twenty 30 bp tandem copies of a palindromic EBNA1 binding site of 18 bp, followed by a 12 bp AT-rich sequence (95,96). The C-terminus of EBNA1 (AA 459-641) interacts with the DS and FR sites of oriP and is responsible for EBNA1 dimerization (97). The interaction of EBNA1 and OriP supports long term reliable EBV replication in dividing cells (92) as well as enhances transcription of other viral latency and host genes (98-100). EBNA1 recruits factors of the cellular replication machinery to oriP, such as origin recognition complex (ORC) and minichromosome maintenance (MCM) complex (101), telomere repeat binding factor 2 (TRF2) (102), replication protein A (RPA) (103) and nuclear import receptor Rch1/importin α (104). For attachment of the viral episome to host chromosomes the repeated Gly-Arg-rich region of EBNA1 (amino acids 33-89 and 325-376), also called AT-hook, is critical (105,106), and functionally resembles host HMGA proteins mediating binding to AT-rich regions in chromosomes (105). Cellular proteins that mediate EBNA1 chromosomal binding are EBP2 (107,108) and p32/TAP (109). DNA is replicated during S phase, after which the episomes tether symmetrically to sister chromatids (110,111).

4. EBV latent gene products

The EBV genome is approximately 170 Kb in size and contains about 80-100 open reading frames (ORF), of which only 50-60 are characterized in some extend. The ORFs are alphabetically named according to the size of the BamHI restriction fragment containing the RNA start site, the largest fragment being BamHI-A, with either rightward or leftward transcriptional orientation, e.g. BARF1 means BamHI-A rightward frame 1. Latency in EBV infected memory B cells, but also in EBV-associated malignancies, is characterized by distinct EBV transcription profiles, so called latency types (table 1). The genes that are expressed in the different latency types are discussed below.

EBV encoded RNAs (EBER1 and 2)

EBERs 1 and 2 are small non-coding RNAs and are expressed in all forms of latency. EBER1 and EBER2 are 167 and 172 nucleotides long, respectively, and are the most abundant viral transcripts reaching 107 copies per cell. Therefore, EBERs are used as a target molecule to detect EBV infected cells in tissues by RNA in situ hybridization (the so called EBER-ISH) (112). Both EBER molecules form strong secondary structures, which comprise many short stem-

loops. The EBER sequences are highly conserved indicating that they are important for the life cycle of the virus, however EBERs are not essential for EBV induced transformation of primary B lymphocytes (113). The location of EBERs is mainly in the nucleus where they interact with the auto-antigen La (114), Ribosomal protein L22 (115), RNA activated protein kinase PKR (116) and Retinoic acid Inducible Gene I (RIG-I) (117). EBERs may suppress the antiviral effects of IFN γ and PKR activation (118), induce IL-10 through RIG-I mediated signaling thereby supporting the growth of Burkitt lymphoma cells (117,119), and inhibit apoptosis (120). EBER1 may be secreted via La protein or through incorporation into exosomes, thereby providing inflammatory triggers via Toll-like receptors TLR3 and TLR7, upon uptake in surrounding cells, such as plasmacytoid dendritic cells (121,122).

Epstein-Barr nuclear antigen 1 (EBNA1)

EBNA1 is a DNA binding protein that is essential for the replication and maintenance of the viral episome in the host cell as described in paragraph 3.2. EBNA1 is necessary for the replication and maintenance of EBV in dividing cells and it can transactivate the expression of other EBV latency genes. In addition to these functions are indications that EBNA1 contributes to cell proliferation and survival (99). When bound to the family of repeats (FR), EBNA1 enhances transcription from Cp, a downstream promoter active during the latent phase of the viral life-cycle (123). Similarly, transcription of the EBV latent membrane protein (LMP1) is enhanced (100). EBNA1 has also been found to act as an oncogene by induction of the cellular recombinase-activating genes RAG1 and RAG2, leading to genetic instability (124) and interfering with DNA repair through disruption of host cell PML-bodies (125). EBNA1 inhibits apoptosis by binding to the cellular ubiquitin-specific protease USP7/HAUSP, thereby causing p53 destabilization (126). Microarray studies performed in EBV negative cells expressing EBNA1 indicate that EBNA1 may also modulate host cell's signaling pathways, such as STAT1 and TGF β 1 pathways (127,128), and induces survivin expression to enhance apoptosis resistance of the host cell (99). Although EBNA1 is a foreign protein to the host, cells expressing EBNA1 are not killed by cytotoxic T cells (CTLs). This is due to a domain consisting of co-polymers of glycine and alanine, called Gly-Ala repeat (AA 95-325), which interferes with proteosomal degradation and antigen processing and thereby evading the immune system (129).

Latent membrane protein 1 (LMP1)

The LMP1 protein is an integral membrane protein of 63 kD and is considered to be the most important transforming gene encoded by EBV (72,130-134). LMP1 protein has three domains: (a) a N-terminal cytoplasmic tail (amino acids 1–23) which tethers and orientates the LMP1 protein to (endoplasmic reticulum) membranes, (b) six hydrophobic transmembrane loops which are involved in self aggregation and oligomerization (amino acids 24–186); (c) a long C-terminal cytoplasmic region (amino acids 187–386) which possesses most of the molecule's signaling activity. While earlier studies show patch-like localization on the plasma membrane (135,136), more recent studies show that LMP1

localizes to late endosomal compartments and is secreted via exosomes (137,138). The biological functions of LMP1 are diverse and are related to its localization and cellular context in which it is expressed. At the early stage of primary B cell infection, LMP1 acts as a constitutive signaling functional CD40 homolog, promoting B cell blast activation and proliferation (32-35). LMP1 activates the NF κ B pathway via direct interaction with tumor necrosis factor receptor associated factors (TRAFs) (139), it activates the JAK/STAT (Signal Transducer and Activator of Transcription) pathway (140,141), and the MAP kinase and PI3 kinase pathways (142-144). LMP1 also inhibits apoptosis by upregulation of Bcl-2 and A20 (40,145) and can mediate malignant progression by influencing angiogenesis (146,147) and metastatic ability (148-150). Depending on the cell type and context, LMP1 thus affects growth, cell survival and metastasis and is considered to be the major viral oncogen of EBV. In addition, LMP1 modulates immune responses by upregulation of cytokines (39,142,151) and chemokines (152), influencing antigen processing and presentation (153,154), and antiviral signaling (155). The first transmembrane region of LMP1 contains the LALLFWL sequence that has been shown to suppress T cell activation, either directly or via exosome association (156-158). LMP1 is not expressed in gastric carcinoma and variably expressed in nasopharyngeal carcinoma, therefore in tumors with an epithelial background LMP1 might have a different role (15,159-161).

Latent membrane protein 2A and B (LMP2A and LMP2B)

LMP2A and LMP2B are membrane proteins with twelve transmembrane domains and a cytoplasmic C-terminal region. Although the proteins are largely transcribed from the same exons, they have separate promoters and start sites, resulting in an additional large cytoplasmic N-terminal domain in LMP2A that contain several ITAM signaling motifs (72). LMP2B is considered to negatively regulate LMP2A activity (162,163). Similar to LMP1, LMP2A and LMP2B localize in patches on the plasma membrane, perinuclear regions and endosomal compartments, and indications are that LMP2A is also secreted via exosomes (164-167). LMP2A and LMP2B are not essential for B cell transformation, but are thought to contribute to EBV persistence (36,168,169). LMP2A blocks B cell receptor signaling, thereby preventing lytic activation, and provides survival signals (36,170,171). LMP2A activates the MAP kinase and PI3 kinase pathways (172-174) inducing anchorage-independent growth, cell adhesion and motility (175-177). Further, LMP2A influences epithelial cell differentiation via Δ Np63 α and β -catenin upregulation and stabilisation. β -catenin expression stimulates cell cycle progression and proliferation (178,179). Upregulation of Δ Np63 α reduces normal cell differentiation and might act to keep EBV in a latent state, but is also thought to play a role in cancer pathogenesis (180,181).

BamHI-A rightward transcripts (BARTs)

The BARTs encode a number of potential open reading frames (ORFs) including BARF0, RK-BARF0, A73 and RPMS1 (182-184). Whether or not these transcripts are translated into protein is controversial (185,186). BARF0, RK-BARF0 and RPMS1 might have a nuclear and

A73 a cytoplasmic localization (186,187). Both RK-BARF0 and RPMS1 might downregulate Notch signaling, thereby reducing EBNA2 transactivating activity (188,189). BARTs also serves as a template for EBV encoded microRNA (see below).

EBV microRNAs

microRNAs (miRNAs) are small single stranded RNA molecules that function as regulators of gene expression. Following transcription, precursor miRNAs is shuttled out of the nucleus, cleaved by Dicer and loaded into the RISC complex (190). EBV is the first human virus reported to encode miRNAs (191) encoded into three clusters; BHRF1, encoding 4 miRNAs, and two clusters of multispliced BART, encoding 23 miRNAs, while miRNA-BART2 is and individual miRNA (192-195) (Figure 2). The role of miRNAs in EBV biology is not fully understood and the targets could be viral or cellular. miRNA-BART2 downregulates BALF5 expression (196), and miRNA-BART22, has been shown to downregulate LMP2 (197). miRNAs from BART cluster 1 have been shown to reduce LMP1 protein expression (198) and miRNA-BART6 silences EBNA2 (199). Cellular genes implicated as targets of miRNAs are apoptosis genes, tumor suppressor genes, and genes involved in immunity (190,200-202). The BHRF1 encoded miRNAs contribute to B cell transformation (203). Recently, EBV miRNAs have been found to be selectively secreted into exosomes after which they can target neighboring cells (204-206).

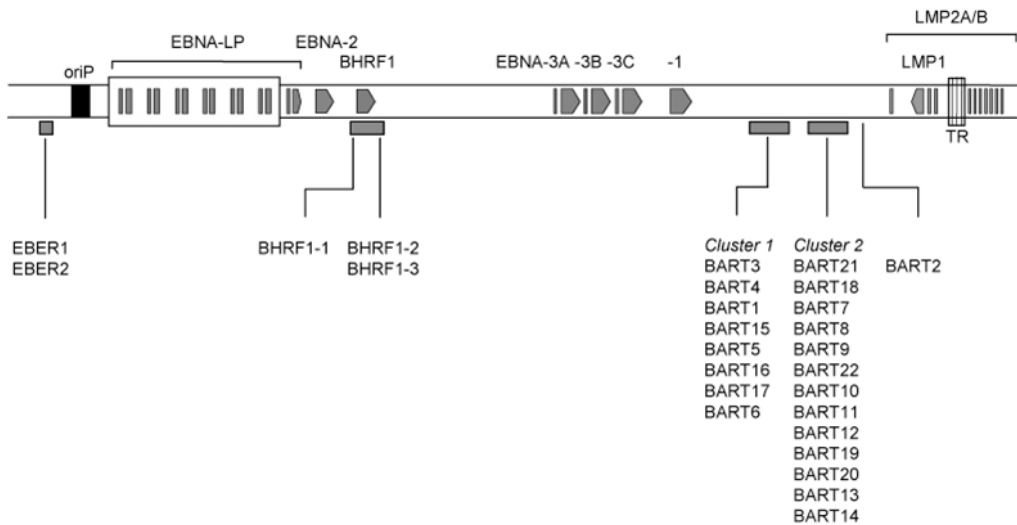


Figure 2. Expression of non-coding EBV RNAs. Schematic illustration of the EBV genome showing the location of the non-coding EBER RNAs, BHRF1 miRNAs and BART miRNAs. Also shown are the location of the latent cycle proteins LMP1, LMP2A/B, EBNA1/2/3A/3B/3C/LP, latent origin of replication (oriP) and terminal repeats (TR) (407).

BamHI-A rightward frame 1

The BamHI-A rightward frame 1 (BARF1) gene encodes a 29-33 kDa protein that is selectively transcribed during latency in carcinomas (207-209). After cleaving off the first 20 amino acids, BARF1 is secreted as a glycosylated hexameric protein (210-212). BARF1 induces

malignant transformation in several cell types and functions as an oncogene (213-217). BARF1 might act as a mitogenic growth factor (218-220), and inhibits apoptosis (216,221). Secreted BARF1 (sBARF1) has immune modulating properties and functions as a decoy receptor for macrophage colony stimulating factor (M-CSF) (86,222-225). A detailed review about the functions and properties of BARF1 is described in chapter 2.

5. Immune responses to EBV and viral immune evasion

Infection with EBV triggers innate, humoral and cellular immune responses to virus-encoded proteins. EBV persists for life in its human host and in immunocompetent individuals the virus is effectively controlled by the immune system. Lifelong viral latency reflects a dynamic balance between virus reproduction and host immune control. To counteract host defenses EBV has developed evasive strategies against both the innate, cellular and humoral immune responses as described here below.

5.1 Innate immune response

The innate immune response is the first line of defense to invading pathogens such as EBV. Antigen presenting cells (APCs) such as monocytes, dendritic cells (DCs), and macrophages secrete cytokines and chemokines following activation of their pattern recognition receptors and thus raise the alarm for the immune system. Especially Toll-like receptors 3, 7 and 9 (TLR-3, -7 and TLR-9), protein kinase R (PKR) and the Retinoic Acid Induced Gene 1 (RIG-1) have been implicated in sensing of EBV. TLR-3, -7, PKR and RIG-1 recognize EBERs (121) whereas TLR-9 recognizes non-methylated EBV double stranded DNA (226). Activated APCs can present viral antigen from infected B cells to CD4 and CD8 T cells in order to develop adaptive immune responses (227,228). There are several indications that also natural killer (NK) cells are involved in EBV innate immune responses. Firstly, elevated levels of NK cells are detected in peripheral blood during primary infection (229-231). Secondly, patients with an immunodeficiency that involves NK cells are extremely susceptible to EBV infection and associated malignancies (232-234), and thirdly, tonsillar NK cells primed *in vitro* by DCs with EBERs produce interferon-gamma in amounts capable of delaying EBV-driven B cell transformation (235).

5.2 Cellular responses

Primary infection is mainly monitored in patients with infectious mononucleosis (IM) who have an unusual strong cell-mediated immune response predominantly consisting of CD8+ T cells with a smaller contribution of CD4+ T cells (16,236,237). The cytotoxic T-lymphocyte (CTL) response is directed largely towards lytic proteins and the magnitude of the response is related by their order of synthesis; the response is the strongest towards immediate early gene products such as BZLF1 (238-240). Unlike in IM, asymptomatic individuals undergoing primary infection show no massive T cell expansions, despite high viral loads in blood (241-243). So the T cell response in IM patients is critical for controlling viral replication but may

also be responsible for the symptoms of infectious mononucleosis. The high occurrence of EBV lymphoproliferation and lymphomagenesis in immunosuppressed patients is evidence that CD8+ T cell responses are essential for the control of EBV and therapeutic infusion of EBV-specific CD8+ T-cells can reverse the disease in these patients (12,244).

CD8+ T cells in IM patients are granzyme-B and perforin-positive and have cytotoxic activity. The markers on these cells show a profile that is evidence of recent antigen stimulation and activation, namely CD38, CD69, CD45RO, Ki-67 and HLA-DR (16,240,245-247). These activated T cells die rapidly by apoptosis *in vitro* unless antigen stimulation is given, because of their low level of anti-apoptotic Bcl-2, Bcl-x and survivin, and high level of pro-apoptotic Bax (237,248). Over time, both the activation and the reactivity to certain EBV antigens will change to a memory CD8+ profile, more potently targeting latency-associated gene products, in particular the EBNA3 family (16).

In contrast to the T cells in acute primary infection (i.e. IM), most memory CD8+ T cells in asymptomatic EBV carriers show a resting phenotype with expression of the memory maturation marker CD27 and without expression of CD38 and CD69 activation markers. However, a few EBV-specific T cells remain active and control the asymptomatic state (239,247,249). The antigen-specific response is not uniform across all latent EBV proteins. Immunodominant epitopes are derived from the EBNA3A, B, and C family (250,251), and subdominant epitopes are from EBNA1, LMP2 and LMP1 (252). The presentation of these antigens is not equally efficient across all HLA-types which is important for the development of immunotherapy for EBV-associated malignancies (253-256). The proportion of EBV-specific CD8+ T cells remains stable over time and may even rise in elderly (257,258).

In comparison to CD8+ response to EBV, much less is known about the CD4+ response, but recent studies shown that CD4+ T cells are essential for proper persisting immune control of EBV infected cells (259). During acute infection the level of activated CD4+ T cells first rises, and then gradually declines to a smaller population of effector cells to mediate protection during the persistent phase of infection (260). CD4+ T cells predominantly target lytic cycle antigens and EBNA1 (259,261). The kinetics and immunodominance of CD4+ T cells for EBV epitopes is different than in CD8+ T cells, with EBNA1 being most dominant (261-263).

5.3 Humoral responses

Upon antigen-specific triggering of the immunoglobulin surface receptor and with the help of T cells, B lymphocytes will mature into antibody producing plasma cells, and later on into memory B cells. Antibodies can bind to the intact virions, and various structural and non-structural (glyco-)proteins expressed in/on or released by virus-infected cells. This will lead to neutralization of infectious viral particles, death of infected cells and clearance of viral antigens via immune complex formation. In case of EBV, viral antigens exposed on the surface of the host cells can be targeted by antibodies, after which either complement components C1q/C3 or phagocytic cells, such as NK cells or macrophages, recognize the distorted Fc part of the bound antibody and eliminate the infected cell via antibody

dependent complement or cell-mediated cytotoxicity (ADCC). Antibody responses to EBV are dependent on the time after exposure in healthy individuals and can be used as a diagnostic tool for EBV-associated disease (9). Knowledge of antibody responses to EBV antigens can also be applied to develop a prophylactic vaccine or for immunotherapy strategies in EBV associated cancers (264-268).

Early studies to EBV antibody response used immunofluorescence and immunoblot methods, but nowadays involve less laborious and highly reproducible enzyme-linked immunosorbent assays (ELISA) (269,270). After primary infection most infected individuals develop EBV-specific IgM, IgA and IgG antibodies against viral capsid antigens (VCAs), early antigens (EAs) and EBNA (271). VCA-IgM is detected at the initial stage of EBV primary infection, while VCA-IgG indicates EBV carriership (272). Antibodies to EA genes are indicative of lytic replication and are good markers for active EBV infection (273). EBNA2 IgG antibodies are only temporarily detected in IM patients, while IgG to EBNA1 persists for life and is indicative for EBV seropositivity (273,274). Detailed analysis of peptide-epitopes on EBV proteins, has allowed development of more simple and accurate serodiagnostic tests (275-277). Elevated levels of IgA to VCA, EBNA1 and EA genes are characteristically found in EBV-associated carcinomas such as NPC. Elevated levels of VCA-IgG are found in Burkitt Lymphoma. Such responses can be used for diagnostics (243,271,278). Interestingly, whereas antibodies to lytic antigens and EBNA1 are readily detected in patients with nasopharyngeal carcinoma, the humoral immune response to EBV-encoded tumor-associated proteins LMP1, LMP2 and BARF1 is marginal (211,279-282). This may be exploited by development of therapeutic antibodies filling the apparent niche in humoral immunity (282,283).

5.4 EBV immune evasion

To persist life-long in its host, EBV evolved mechanisms to escape from immune recognition. Several immune evasion strategies used by viruses are: 1] reduced protein expression and expression of proteins with low immunogenicity, 2] interference with proteasomal degradation and MHC I antigen presentation, 3] downregulation of MHC II and co-stimulatory molecules, 4] prevention of MHC II and T cell receptor interaction, 5] inhibition of apoptosis of infected cells, 6] modulation of growth factors, cytokines and chemokines and 7] secretion of exosomes. A number of EBV proteins enable one or multiple immune evasion strategies. During the lytic phase, EBV expresses more than 80 proteins, most of which are highly immunogenic, demonstrated by the strong immune response elicited at the time of primary contact. EBV then switches to a latency profile in which only a few proteins are expressed in low copy numbers. This remarkable plasticity of gene expression results from combined epigenetic modifications of the viral episome, ranging from CpG DNA methylation and histone and chromatin modifications, to higher-order chromosome conformations such as spatial looping to control promoter activation (43,284). Promoter CpG methylation of the EBV genome is well studied and plays an essential role in maintaining viral latency (88,285-287).

EBNA1 is expressed in all latency types and its Gly-Ala repeat domain inhibits efficient translation, thereby limiting the copy number. This Gly-Ala repeat also inhibits proteolytic degradation, in that way protecting EBNA1 from MHC I presentation and CD8+ T cell recognition (129,288-290). EBNA1 may also prevent apoptosis (99,126).

LMP1 has multiple effects that help EBV to stay hidden for the immune system. LMP1 has direct immunosuppressive effects that are ascribed to the LALLFWL domain, affecting T cell proliferation and NK cells cytotoxicity (156). LMP1 inhibits apoptosis by induction of anti-apoptotic genes such as Bcl-2 (40,145,291-293), affects the cytokine and chemokine network by inducing expression of IL-6, IL-8, IL-10, CCL17, and CCL22 (39,142,151,152), and inhibits antiviral signaling by interferons (155). LMP1 secreted via exosomes may also modulate the cellular microenvironment and suppress T cell activation (157,158). By contrast, LMP1 is able to up-regulate expression both of the Transporter associated with Antigen Processing (TAP) proteins and HLA class I, enabling better antigen processing (153,294). While this may seem contradictory, efficient presentation of self peptides that compete with viral peptide presentation might be advantageous. LMP2 prevents B cell activation and thereby induction of highly immunogenic EBV genes (170). The viral microRNAs EBEBs and BARTs affect the immune response in the host and neighboring (immune) cells via exosomes (117-119,205). BARF1 may prevent apoptosis (216,221) and secreted BARF1 functions as a decoy receptor for macrophage colony stimulating factor (M-CSF) (86,222-225) consequently interfering with human monocyte-macrophage differentiation (223).

To enable the virus to replicate successfully, a number of early genes affect MHC class I and class II antigen presentation pathways. BNLF2a interferes with both ATP and peptide binding to TAP, and in this manner prevents peptide-loading of MHC class I molecules (295-298). BGLF5 reduces the synthesis of new MHC class I molecules as part of its general host shut-off function (299,300). BILF1 binds to MHC class I, impairing the export of new complexes and target MHC class I molecules for degradation (301,302). BCRF1 encodes for a viral homologue of IL10. Besides the immunosuppressive functions (303,304), vIL-10 causes a reduction in TAP1 mRNA and protein levels, and simultaneously reduces mRNA of the immunoproteasome subunit b1i/LMP2 that shares the same promoter (305,306). BZLF1, encoding the immediate early transactivating protein Z (Zta, ZEBRA) down-regulates MHC class II expression through inhibition of CIITA transcriptional co-activator (307). EBV glycoprotein 42 (gp42) might also modulate the immune response triggered by dendritic cells. Virus particles produced in epithelial cells and high in gp42, entered monocytes and inhibited their development into DCs (308). In addition, Gp42 on the surface of cells during productive infection interferes with MHC class II T cell antigen presentation (309).

6. EBV-related diseases and malignancies

Since its discovery in 1964 in Burkitts lymphoma, EBV has been associated with several benign and malignant proliferative disorders in both immunocompetent and immunosuppressed hosts. Each of these diseases expresses a different set of EBV genes and

can be grouped into the different latency types shown in Table 1. EBV was the first human cancer virus found and is recognized as a class I human carcinogen by the World Health Organization (310).

6.1 Benign EBV-associated diseases

Infectious Mononucleosis (IM)

IM, also known as kissing disease, glandular fever or Pfeiffer's disease is a well known disease affecting mainly adolescents and young adults in developed countries. The connection between EBV and IM was made when a laboratory technician, previously seronegative for the virus, contracted the disease and subsequently developed antibodies to EBV, a process called seroconversion (311). Primary EBV infection mostly occurs asymptotically during childhood, however, if primary exposure to the virus is delayed until adolescence or adult life, it can cause IM in a proportion of individuals. The disease is clinically characterized by fever, sore throat, tonsillitis, lymphadenopathy and splenomegaly, with characteristic abundance of atypical lymphocytes and heterophile antibodies, which are representing the strong non-specific immune stimulation during IM (312-314). The limited effect of antiviral drugs indicate that not EBV replication is causative for the clinical symptoms of IM, but rather the strong cytokine storm and abundant T cell reactivity (315). The accurate diagnosis of IM is performed by antibody measurement to specific EBV antigens. Elevated IgM and IgG to EA and VCA can be measured during the acute phase, while anti-EBNA1 IgG antibodies remain negative until few months post acute phase (312,316). Whereas anti-VCA and anti-EBNA1 IgG antibodies persist for life, anti-VCA IgM and anti-EA IgG rapidly decline as the patient recovers (317,318). When serological data is inconclusive, viral load quantitative PCR can assist (319). The immune responses quickly reduce the number of circulating EBV positive B cells within 1-2 months, but occasionally IM may progress into a chronic active infection with life threatening complications (320).

6.2 Immunodeficiency and immunosuppression related disorders

X-linked lymphoproliferative disorder

Patients with primary immunodeficiency X-linked lymphoproliferative disease (XLP, or Duncan syndrome) are highly susceptible to EBV infection. Mutations in SH2D1A gene cause a defect in the Signaling Lymphocyte Activating Molecule (SLAM)- associated protein (SAP) that is important in signaling the lymphocyte immune response. Because the gene is located on the X chromosome, the condition primarily affects males. Due to an inability to control EBV infection, primary EBV infection may lead to Virus-Associated Hemophagocytic Syndrome (VAHS) and fatal lymphoproliferations and lymphoma (1,321).

Oral Hairy Leukoplakia (OHL)

OHL is a benign disorder that is mostly seen in immunocompromised patients, in particular in HIV seropositives and is characteristic for reduced T-cell surveillance during progression to

AIDS. It's a white proliferative, hyperkeratotic, squamous mucosal epithelial cell lesion of the tongue. Latent as well as lytic viral gene expression can be found (322) and EBV particles can be detected in superficial epithelia (47). Lesions regress with acyclovir treatment, but since latent infected cells are not sensitive to this treatment, lesions can reoccur when treatment is stopped.

AIDS-related lymphoma

In healthy individuals the outgrowth of EBV infected B cells is controlled by cell mediated immune responses, which are increasingly defective in patients with acquired immunodeficiency syndrome (AIDS), leading to outgrowth of EBV-infected B lymphocytes with latency type III. The resulting B lymphomas are a heterologous group and include Central Nervous System (CNS) lymphoma, diffuse large B cell lymphoma, Hodgkin's and non-Hodgkin's lymphoma, Burkitt Lymphoma (BL)-like lymphomas and primary effusion lymphomas (323,324). EBV genomes are present in about half of lymphomas that arise in HIV-infected patients (324), and the frequency of EBV infection depends on the subtype of tumor involved (1). It is considered that chronic inflammation and antigen stimulation is a causative factor for lymphoma development.

Post Transplant Lymphoproliferative Disease (PTLD)

After transplantation, patients receive T cell immunosuppressive therapy to avoid rejection. This leads to an increased risk for EBV-driven lymphoproliferative diseases that are almost always of B cell origin and EBV positive. In bone marrow transplants PTLD arise mostly from donor derived EBV infected B cells, while in solid organ transplantation, EBV in lymphoma cells is often of recipient origin (325,326). Therefore it is important to determine EBV serostatus in donor and recipient prior to transplantation. Careful monitoring of EBV DNA load and dynamics in peripheral blood of transplant recipients may be used to screen for early stage PTLD (327,328). Timely intervention may prevent progression to B cell lymphoma. Treatment can involve temporarily lowering of immunosuppression, infusion of EBV reactive T cells, or treatment with Ritiximab (anti-CD20) (329). Late stage PTLD may require more aggressive R-CHOP immunochemotherapy for full regression.

6.3 Lymphomas in immunocompetent individuals

Burkitt's lymphoma (BL)

The endemic form of BL was first described by Dennis Burkitt in 1958 in Africa (330). Epstein-Barr virus was first discovered in lymphoma cells from these tumors (3,4), and almost 100 % of the endemic BL tumors are EBV positive (331,332). Besides endemic BL there is a sporadic form of BL with no specific geographic distribution and an EBV association in 20-30 % of the cases (9). A histological characteristic of BL is the appearance of "starry sky macrophages" within the tumor (333). Another important feature of BL is the translocation between the c-myc oncogene from chromosome 8 (8q24) and either immunoglobulin heavy chain gene on

chromosome 14 (14q32), the kappa light chain loci on chromosome 2 (2p11) or the lambda light chain on chromosome 22 (22q11). The first translocation, t8;14 is the most common and appears in 80 % of the cases (334). This translocation of c-myc results in overexpression, leading to cell survival (335). The mechanism by which EBV contributes to the development of Burkitt's lymphoma is not entirely understood. Malaria infection is considered a co-factor for the development of endemic BL. Malaria infection might compromise EBV immune control, or hyperstimulation of EBV infected B cells by malaria allows for reactivation of EBV. Interestingly, a surface protein on malaria, the plasmodium falciparum erythrocyte membrane protein 1 (PfEMP1) was shown to activate B cells (336). BL has a latency type I expression pattern, but expression of other EBV genes is occasionally seen, including those involved in lytic replication (337-339).

Hodgkin's lymphoma

Hodgkin's disease (HD) is a malignant lymphoma characterized by the presence of mononuclear Hodgkin cells and multinucleated Reed-Sternberg (RS) cells in a background of non-neoplastic cell populations including B and T lymphocytes, plasma cells and eosinophiles (340). According to the WHO classification, HL can be histologically divided into four subtypes: lymphocyte predominant (LP), nodular sclerosing (NS), mixed cellularity (MC) and lymphocyte depleted (LD) (341). Not all subtypes harbor EBV to the same degree, with percentage below 25 % in LP and NS, and over 75 % in MC and LD, depending on age, gender, ethnicity and socio-economic background (342,343). In EBV-positive cases, Hodgkin's lymphomas display a latency type II expression pattern with presence of EBNA1, LMP1 and LMP2A (344,345). The role that EBV plays in HD is not fully understood, but EBV association coincides with poor prognosis of the disease (346-348). EBNA1 induced CCL20 expression modulates immune responses in the HD microenvironment (349). LMP1 and LMP2A inhibit apoptosis and allow survival of defective B cells (344,345,350,351). A previous history of infectious mononucleosis is linked with increased risk of developing HD (352).

T cell and NK cell lymphomas

The EBV receptor CD21/CR is only expressed in low levels on T cells, and during acute infection T cells are rarely infected (353). Several types of non-B cell lymphomas are associated with EBV (354-356). Angioimmunoblastic T-cell lymphoma (AITL, or AILD) is a rare, aggressive neoplasm, but is the most common subtype of peripheral T cell lymphomas. While the EBV association with the disease is almost 100 %, EBV is predominantly detected in B cells (357). Gene rearrangements of the T cell receptor and/or Ig heavy chain can be found in the majority of the cases. How EBV is involved in the pathogenesis is unclear and it has also been suggested that high EBV levels are a reflection of the disease process rather than a cause of it.

T/NK cell lymphoma are aggressive, destructive tumors that are prevalent in Southeast Asia. The nasal type is 100 % associated with EBV and show clonal EBV genome (358). The absence of T cell antigens and the expression of the NK cell marker CD56 are evidence that these

tumors are derived from NK cells (359,360). Chronic active EBV infection plays a role in the development of the disease (361,362).

6.4 EBV associated carcinomas

Nasopharyngeal Carcinoma (NPC)

NPC is a cancer of the epithelial lining of the nasopharynx that occurs with extraordinarily high incidence in south-east Asia and with elevated incidence in Inuit populations and in Africans and Arabs of the Mediterranean area (15,363). Histopathologically, NPC is classified into three types, based on the degree of differentiation. Keratinized squamous cell carcinoma (WHO type I) is highly differentiated and characterized by epithelial growth patterns and keratin filaments, non-keratinizing squamous cell carcinoma (WHO type II) retains epithelial cell shape and growth pattern, and undifferentiated carcinoma (WHO type III) does not produce keratin and lacks a distinctive growth pattern. Undifferentiated NPC is 100 % associated with EBV, showing clonal presence of the virus in all tumor cells, and compromises the vast majority of NPCs in endemic areas (14,15). In NPC, EBV shows latency type II, with the expression of EBNA1, EBERs, LMP1, LMP2A and BARF1 (159,160,182,364-367). Early symptoms vary and include nasal obstruction, otitis media, tinnitus and facial pain. Since these symptoms are not specific for NPC, most patients are diagnosed when the tumor reached an advanced stage. Early stage NPC can be cured with only radiotherapy, stressing the need for early diagnosis (368). In more progressed tumors radiotherapy is often combined with chemotherapy. Besides EBV, other aetiological factors such as the consumption of salted dried meats or fish, spicy foods, Chinese herbal drugs, alcohol, smoking and hereditary predisposition have been implicated in the genesis of NPC (369-373). NPC occurs more frequent in male than female and shows a distinct age distribution across different populations (374-376). The first link between EBV and NPC came from seroepidemiological studies that revealed that sera from NPC patients contained elevated antibody titers to EA and VCA antigens (377). Elevated titers of IgG and especially IgA to VCA, EA and EBNA complexes can be indicative for NPC (370,378), but the golden standard for NPC diagnosis is EBER RNA in situ hybridization of an invasive biopsy taken from the nasopharyngeal area (379). In the last decade, less invasive diagnostic methods have been developed such as the measurement of viral DNA load in peripheral blood (380-383), and RT-PCR of specific EBV genes in nasopharyngeal brushings (209,384,385), which can also be used to monitor treatment (386).

Gastric Carcinoma (GC)

Histopathologically, GC is often grouped into three subsets; regular adenocarcinoma not otherwise specified (NOS), lymphoepithelioma-like carcinomas (LELC), and gastric stump carcinomas. Of these subsets, 10 % of NOS, 80 % of LELC, and 40 % of gastric stump carcinomas are associated with EBV, averaging to about 10 % of all gastric cancer cases worldwide (387-391). EBV positive GC represents a distinct disease entity, differing from

Helicobacter-associated GC by localization, age, male predominance, immunological features and prognosis (392,393). Patients suffering from EBV positive GC have a better prognosis than those with an EBV negative tumor, which might be because of anti-tumor immune responses triggered by the presence of the virus (393). EBV GC is hard to group in one latency type because of the distinctive gene expression, but is usually considered latency type I. Besides EBNA1, EBERs, BARTs, gastric carcinomas show expression of the BARF1 gene. Additionally, LMP2A is expressed, but not the major oncogene LMP1 (394-396). The absence of LMP1, which otherwise would reduce immune responses, might explain the presence of the abundant cytotoxic T cell infiltrate in EBV positive tumors, associating with reduced metastasis and better survival (158,393). The precise role of EBV in the pathogenesis of GC remains to be determined, but the lack of the LMP1 oncogene suggests that other EBV genes, likely in combination with cellular defects, function as oncogene in GC. BARF1 might have anti-apoptotic effects (216,221), and recent studies have shown that h-RAS expression synergizes with BARF1 in GC malignant transformation (218). The role of BARF1 as the GC oncogene is further discussed in chapter 2 of this thesis. LMP2A might upregulate DNA methyltransferase I (397), leading to promoter methylation of cancer-related cellular genes in GC (398-400). The absence of EBV infection in pre-malignant gastric lesions supports the suggestion that viral infection is a relatively late event in gastric carcinoma (401). On the other hand is evidence that patients show high antibody titers to EBV antigens years prior to clinical diagnosis of EBV positive GC (402-405). In addition the clonality of EBV DNA in the tumor points towards EBV infection as early event in carcinogenesis (406).

7. Aims and outline of this thesis

As shown in the previous sections, EBV is a very successful virus that infects almost everybody, and exists in a tight balance with the immune system. However, in certain individuals, in combination with other factors such as immune deficiencies or food habits, EBV can cause malignancies of both lymphoid and epithelial origin. In these cancers, only a few viral genes are expressed which are either important for maintenance of the viral episome, modulate the immune system, function as oncogene or a combination of these. This thesis focuses on one of these genes, the BamHI-A Rightward Frame 1 gene (BARF1), which is transcribed in the two epithelial malignancies associated with EBV namely gastric carcinoma (GC) and nasopharyngeal carcinoma (NPC). The aim of the study can roughly be described as 'to better understand' this relatively unstudied viral gene. BARF1 is only transcribed in carcinoma and is a secreted protein. Using detection of BARF1 protein directly or detection of human antibodies to BARF1 indirectly as a diagnostic tool would be a vast improvement of NPC diagnosis. In Chapter 3 the question whether there are humoral immune responses to BARF1 that can be utilized in a diagnostic tool is answered, and Chapter 4 investigates the genetic variation of the BARF1 gene in the Indonesian population. Part of the aim of this thesis was to study the functional role of BARF1 as an oncogene in NPC. In Chapter 5 the immune modulating function of BARF1 is thoroughly investigated and

the implications *in vivo* are discussed. EBV keeps a tight control over its genes, reflected in lytic and latent gene expression profiles in various stages of the virus life cycle. In Chapter 6 and 7 the transcriptional regulation of BART1 in the lytic cycle as well as in latency is analyzed. Chapter 8 focuses on the direct detection of BART1 protein in the circulation and human tumor tissue which still represents a challenge, despite the use of several new monoclonal antibodies and novel proteomic techniques

References

1. Kutok JL, Wang F: Spectrum of Epstein-Barr virus-associated diseases. *Annu Rev Pathol* 2006;1:375-404.
2. Thompson MP, Kurzrock R: Epstein-Barr virus and cancer. *Clin Cancer Res* 2004;10:803-21.
3. Epstein MA, Henle G, Achong BG, Barr YM: Morphological and biological studies on a virus in cultured lymphoblasts from Burkitt's lymphoma. *J Exp Med* 1965;121:761-70.
4. Epstein A: Burkitt lymphoma and the discovery of Epstein-Barr virus. *Br J Haematol* 2012;156:777-9.
5. Paschos K, Smith P, Anderton E, Middeldorp JM, White RE, Allday MJ: Epstein-barr virus latency in B cells leads to epigenetic repression and CpG methylation of the tumour suppressor gene Bim. *PLoS Pathog* 2009;5:e1000492.
6. Thorley-Lawson DA, Allday MJ: The curious case of the tumour virus: 50 years of Burkitt's Lymphoma. *Nat Rev Microbiol* 2008;6:913-24.
7. Rezk SA, Weiss LM: Epstein-Barr virus-associated lymphoproliferative disorders. *Hum Pathol* 2007;38:1293-304.
8. Saha A, Robertson ES: Epstein-Barr virus-associated B-cell lymphomas: pathogenesis and clinical outcomes. *Clin Cancer Res* 2011;17:3056-63.
9. Rickinson AB. Epstein-Barr virus. In: Williams & Wilkins, ed. *Fields Virology*, 5th Edn. Philadelphia: Wolters Kluwer Health, 2007.
10. Sixbey JW, Nedrud JG, Raab-Traub N, Hanes RA, Pagano JS: Epstein-Barr virus replication in oropharyngeal epithelial cells. *N Engl J Med* 1984;310:1225-30.
11. Souza TA, Stollar BD, Sullivan JL, Luzuriaga K, Thorley-Lawson DA: Peripheral B cells latently infected with Epstein-Barr virus display molecular hallmarks of classical antigen-selected memory B cells. *Proc Natl Acad Sci U S A* 2005;102:18093-8.
12. Middeldorp JM, Brink AA, van den Brule AJ, Meijer CJ: Pathogenic roles for Epstein-Barr virus (EBV) gene products in EBV-associated proliferative disorders. *Crit Rev Oncol Hematol* 2003;45:1-36.
13. Young LS, Rickinson AB: Epstein-Barr virus: 40 years on. *Nat Rev Cancer* 2004;4:757-68.
14. Klein G, Giovanella BC, Lindahl T, Fialkow PJ, Singh S, Stehlin JS: Direct evidence for the presence of Epstein-Barr virus DNA and nuclear antigen in malignant epithelial cells from patients with poorly differentiated carcinoma of the nasopharynx. *Proc Natl Acad Sci U S A* 1974;71:4737-41.
15. Raab-Traub N: Epstein-Barr virus in the pathogenesis of NPC. *Semin Cancer Biol* 2002;12:431-41.
16. Hislop AD, Taylor GS, Saucedo D, Rickinson AB: Cellular responses to viral infection in humans: lessons from Epstein-Barr virus. *Annu Rev Immunol* 2007;25:587-617.
17. Faulkner GC, Burrows SR, Khanna R, Moss DJ, Bird AG, Crawford DH: X-Linked agammaglobulinemia patients are not infected with Epstein-Barr virus: implications for the biology of the virus. *J Virol* 1999;73:1555-64.
18. Hudnall SD, Ge Y, Wei L, Yang NP, Wang HQ, Chen T: Distribution and phenotype of Epstein-Barr virus-infected cells in human pharyngeal tonsils. *Mod Pathol* 2005;18:519-27.
19. Tugizov SM, Berline JW, Palefsky JM: Epstein-Barr virus infection of polarized tongue and nasopharyngeal epithelial cells. *Nat Med* 2003;9:307-14.
20. Fingerroth JD, Weis JJ, Tedder TF, Strominger JL, Biro PA, Fearon DT: Epstein-Barr virus receptor of human B lymphocytes is the C3d receptor CR2. *Proc Natl Acad Sci U S A* 1984;81:4510-4.
21. Tanner J, Weis J, Fearon D, Whang Y, Kieff E: Epstein-Barr virus gp350/220 binding to the B lymphocyte C3d receptor mediates adsorption, capping, and endocytosis. *Cell* 1987;50:203-13.
22. Cooper NR, Bradt BM, Rhim JS, Nemerow GR: CR2 complement receptor. *J Invest Dermatol* 1990;94:1125-7S.
23. Oda T, Imai S, Chiba S, Takada K: Epstein-Barr virus lacking glycoprotein gp85 cannot infect B cells and epithelial cells. *Virology* 2000;276:52-8.
24. Hutt-Fletcher LM: Epstein-Barr virus entry. *J Virol* 2007;81:7825-32.
25. Allday MJ, Crawford DH, Griffin BE: Epstein-Barr virus latent gene expression during the initiation of B cell immortalization. *J Gen Virol* 1989;70 (Pt 7):1755-64.
26. Alfieri C, Birkenbach M, Kieff E: Early events in Epstein-Barr virus infection of human B lymphocytes. *Virology* 1991;181:595-608.
27. Strobl LJ, Hofelmayr H, Stein C, et al.: Both Epstein-Barr viral nuclear antigen 2 (EBNA2) and activated Notch1 transactivate genes by interacting with the cellular protein RBP-J kappa. *Immunobiology* 1997;198:299-306.

28. Hurley EA, Thorley-Lawson DA: B cell activation and the establishment of Epstein-Barr virus latency. *J Exp Med* 1988;168:2059-75.
29. Wang F, Tsang SF, Kurilla MG, Cohen JI, Kieff E: Epstein-Barr virus nuclear antigen 2 transactivates latent membrane protein LMP1. *J Virol* 1990;64:3407-16.
30. Henkel T, Ling PD, Hayward SD, Peterson MG: Mediation of Epstein-Barr virus EBNA2 transactivation by recombination signal-binding protein J kappa. *Science* 1994;265:92-5.
31. Sixbey JW, Pagano JS: Epstein-Barr virus transformation of human B lymphocytes despite inhibition of viral polymerase. *J Virol* 1985;53:299-301.
32. Gires O, Zimmer-Strobl U, Gonnella R, et al.: Latent membrane protein 1 of Epstein-Barr virus mimics a constitutively active receptor molecule. *EMBO J* 1997;16:6131-40.
33. Kilger E, Kieser A, Baumann M, Hammerschmidt W: Epstein-Barr virus-mediated B-cell proliferation is dependent upon latent membrane protein 1, which simulates an activated CD40 receptor. *EMBO J* 1998;17:1700-9.
34. Zimmer-Strobl U, Kempkes B, Marschall G, et al.: Epstein-Barr virus latent membrane protein (LMP1) is not sufficient to maintain proliferation of B cells but both it and activated CD40 can prolong their survival. *EMBO J* 1996;15:7070-8.
35. Uchida J, Yasui T, Takaoka-Shichijo Y, et al.: Mimicry of CD40 signals by Epstein-Barr virus LMP1 in B lymphocyte responses. *Science* 1999;286:300-3.
36. Caldwell RG, Wilson JB, Anderson SJ, Longnecker R: Epstein-Barr virus LMP2A drives B cell development and survival in the absence of normal B cell receptor signals. *Immunity* 1998;9:405-11.
37. Lam KP, Kuhn R, Rajewsky K: In vivo ablation of surface immunoglobulin on mature B cells by inducible gene targeting results in rapid cell death. *Cell* 1997;90:1073-83.
38. Mosialos G: Cytokine signaling and Epstein-Barr virus-mediated cell transformation. *Cytokine Growth Factor Rev* 2001;12:259-70.
39. Nakagomi H, Dolcetti R, Bejarano MT, Pisa P, Kiessling R, Masucci MG: The Epstein-Barr virus latent membrane protein-1 (LMP1) induces interleukin-10 production in Burkitt lymphoma lines. *Int J Cancer* 1994;57:240-4.
40. Henderson S, Rowe M, Gregory C, et al.: Induction of bcl-2 expression by Epstein-Barr virus latent membrane protein 1 protects infected B cells from programmed cell death. *Cell* 1991;65:1107-15.
41. Parker GA, Crook T, Bain M, Sara EA, Farrell PJ, Allday MJ: Epstein-Barr virus nuclear antigen (EBNA)3C is an immortalizing oncoprotein with similar properties to adenovirus E1A and papillomavirus E7. *Oncogene* 1996;13:2541-9.
42. Szyf M, Eliasson L, Mann V, Klein G, Razin A: Cellular and viral DNA hypomethylation associated with induction of Epstein-Barr virus lytic cycle. *Proc Natl Acad Sci U S A* 1985;82:8090-4.
43. Takacs M, Banati F, Koroknai A, et al.: Epigenetic regulation of latent Epstein-Barr virus promoters. *Biochim Biophys Acta* 2010;1799:228-35.
44. Leight ER, Sugden B: EBNA-1: a protein pivotal to latent infection by Epstein-Barr virus. *Rev Med Virol* 2000;10:83-100.
45. Matsuo T, Heller M, Petti L, O'Shiro E, Kieff E: Persistence of the entire Epstein-Barr virus genome integrated into human lymphocyte DNA. *Science* 1984;226:1322-5.
46. Frangou P, Buettner M, Niedobitek G: Epstein-Barr virus (EBV) infection in epithelial cells in vivo: rare detection of EBV replication in tongue mucosa but not in salivary glands. *J Infect Dis* 2005;191:238-42.
47. Greenspan JS, Greenspan D, Lennette ET, et al.: Replication of Epstein-Barr virus within the epithelial cells of oral "hairy" leukoplakia, an AIDS-associated lesion. *N Engl J Med* 1985;313:1564-71.
48. Herrmann K, Frangou P, Middeldorp J, Niedobitek G: Epstein-Barr virus replication in tongue epithelial cells. *J Gen Virol* 2002;83:2995-8.
49. Danve C, Decaussin G, Busson P, Ooka T: Growth transformation of primary epithelial cells with a NPC-derived Epstein-Barr virus strain. *Virology* 2001;288:223-35.
50. Nishikawa J, Imai S, Oda T, Kojima T, Okita K, Takada K: Epstein-Barr virus promotes epithelial cell growth in the absence of EBNA2 and LMP1 expression. *J Virol* 1999;73:1286-92.
51. Imai S, Nishikawa J, Takada K: Cell-to-cell contact as an efficient mode of Epstein-Barr virus infection of diverse human epithelial cells. *J Virol* 1998;72:4371-8.
52. Knox PG, Li QX, Rickinson AB, Young LS: In vitro production of stable Epstein-Barr virus-positive epithelial cell clones which resemble the virus:cell interaction observed in nasopharyngeal carcinoma. *Virology* 1996;215:40-50.
53. Li QX, Young LS, Niedobitek G, et al.: Epstein-Barr virus infection and replication in a human epithelial cell system. *Nature* 1992;356:347-50.
54. Yoshizawa H, Imai S, Shimizu N, Takada K: Epstein-Barr virus infection of human gastric carcinoma cells: implication of the existence of a new virus receptor different from CD21. *J Virol* 1997;71:5688-91.
55. Sixbey JW, Yao QY: Immunoglobulin A-induced shift of Epstein-Barr virus tissue tropism. *Science* 1992;255:1578-80.
56. Pegtel DM, Middeldorp J, Thorley-Lawson DA: Epstein-Barr virus infection in ex vivo tonsil epithelial cell cultures of asymptomatic carriers. *J Virol* 2004;78:12613-24.
57. Fingerroth JD, Diamond ME, Sage DR, Hayman J, Yates JL: CD21-Dependent infection of an epithelial cell line, 293, by Epstein-Barr virus. *J Virol* 1999;73:2115-25.

58. Burgos JS, Vera-Sempere FJ: Immunohistochemical absence of CD21 membrane receptor in nasopharyngeal carcinoma cells infected by Epstein-Barr virus in Spanish patients. *Laryngoscope* 2000;110:2081-4.
59. Xiao J, Palefsky JM, Herrera R, Tugizov SM: Characterization of the Epstein-Barr virus glycoprotein BMRF-2. *Virology* 2007;359:382-96.
60. Shannon-Lowe CD, Neuhierl B, Baldwin G, Rickinson AB, Delecluse HJ: Resting B cells as a transfer vehicle for Epstein-Barr virus infection of epithelial cells. *Proc Natl Acad Sci U S A* 2006;103:7065-70.
61. Gan YJ, Chodosh J, Morgan A, Sixbey JW: Epithelial cell polarization is a determinant in the infectious outcome of immunoglobulin A-mediated entry by Epstein-Barr virus. *J Virol* 1997;71:519-26.
62. Turk SM, Jiang R, Chesnokova LS, Hutt-Fletcher LM: Antibodies to gp350/220 enhance the ability of Epstein-Barr virus to infect epithelial cells. *J Virol* 2006;80:9628-33.
63. Tugizov S, Herrera R, Veluppillai P, Greenspan J, Greenspan D, Palefsky JM: Epstein-Barr virus (EBV)-infected monocytes facilitate dissemination of EBV within the oral mucosal epithelium. *J Virol* 2007;81:5484-96.
64. Molesworth SJ, Lake CM, Borza CM, Turk SM, Hutt-Fletcher LM: Epstein-Barr virus gH is essential for penetration of B cells but also plays a role in attachment of virus to epithelial cells. *J Virol* 2000;74:6324-32.
65. Li Q, Turk SM, Hutt-Fletcher LM: The Epstein-Barr virus (EBV) BZLF2 gene product associates with the gH and gL homologs of EBV and carries an epitope critical to infection of B cells but not of epithelial cells. *J Virol* 1995;69:3987-94.
66. Wang X, Hutt-Fletcher LM: Epstein-Barr virus lacking glycoprotein gp42 can bind to B cells but is not able to infect. *J Virol* 1998;72:158-63.
67. Borza CM, Hutt-Fletcher LM: Alternate replication in B cells and epithelial cells switches tropism of Epstein-Barr virus. *Nat Med* 2002;8:594-9.
68. Atanasiu D, Saw WT, Cohen GH, Eisenberg RJ: Cascade of events governing cell-cell fusion induced by herpes simplex virus glycoproteins gD, gH/gL, and gB. *J Virol* 2010;84:12292-9.
69. Haan KM, Lee SK, Longnecker R: Different functional domains in the cytoplasmic tail of glycoprotein B are involved in Epstein-Barr virus-induced membrane fusion. *Virology* 2001;290:106-14.
70. McShane MP, Longnecker R: Cell-surface expression of a mutated Epstein-Barr virus glycoprotein B allows fusion independent of other viral proteins. *Proc Natl Acad Sci U S A* 2004;101:17474-9.
71. Neuhierl B, Feederle R, Hammerschmidt W, Delecluse HJ: Glycoprotein gp110 of Epstein-Barr virus determines viral tropism and efficiency of infection. *Proc Natl Acad Sci U S A* 2002;99:15036-41.
72. Kieff E. Epstein-Barr virus and Its Replication. In: DM Knipe and PM Howley, ed. *Fields Virology*, 2007 Edn Philadelphia: Wolters Kluwer Health, 2011.
73. Laichalk LL, Thorley-Lawson DA: Terminal differentiation into plasma cells initiates the replicative cycle of Epstein-Barr virus in vivo. *J Virol* 2005;79:1296-307.
74. Israel BF, Kenney SC. EBV Lytic Infection. In: Robertson ES, ed. *Epstein-Barr Virus*. Philadelphia: Caister Academic Press, 2011.
75. Israel BF, Kenney SC. EBV Lytic Infection. In: Robertson ES, ed. *Epstein-Barr Virus*. Philadelphia: Caister Academic Press, 2011.
76. Lu CC, Jeng YY, Tsai CH, et al.: Genome-wide transcription program and expression of the Rta responsive gene of Epstein-Barr virus. *Virology* 2006;345:358-72.
77. Tsurumi T, Fujita M, Kudoh A: Latent and lytic Epstein-Barr virus replication strategies. *Rev Med Virol* 2005;15:3-15.
78. Faulkner GC, Krajewski AS, Crawford DH: The ins and outs of EBV infection. *Trends Microbiol* 2000;8:185-9.
79. Li JH, Huang D, Sun BF, et al.: Efficacy of ionizing radiation combined with adenoviral p53 therapy in EBV-positive nasopharyngeal carcinoma. *Int J Cancer* 2000;87:606-10.
80. Faggioni A, Zompetta C, Grimaldi S, Barile G, Frati L, Lazdins J: Calcium modulation activates Epstein-Barr virus genome in latently infected cells. *Science* 1986;232:1554-6.
81. Gao X, Ikuta K, Tajima M, Sairenji T: 12-O-tetradecanoylphorbol-13-acetate induces Epstein-Barr virus reactivation via NF-kappaB and AP-1 as regulated by protein kinase C and mitogen-activated protein kinase. *Virology* 2001;286:91-9.
82. Jiang JH, Wang N, Li A, et al.: Hypoxia can contribute to the induction of the Epstein-Barr virus (EBV) lytic cycle. *J Clin Virol* 2006;37:98-103.
83. Liang CL, Chen JL, Hsu YP, Ou JT, Chang YS: Epstein-Barr virus BZLF1 gene is activated by transforming growth factor-beta through cooperativity of Smads and c-Jun/c-Fos proteins. *J Biol Chem* 2002;277:23345-57.
84. di RL, Altiock A, Klein G, Klein E: Endogenous TGF-beta contributes to the induction of the EBV lytic cycle in two Burkitt lymphoma cell lines. *Int J Cancer* 1994;57:914-9.
85. Ohashi M, Fogg MH, Orlova N, Quink C, Wang F: An Epstein-Barr Virus Encoded Inhibitor of Colony Stimulating Factor-1 Signaling Is an Important Determinant for Acute and Persistent EBV Infection. *PLoS Pathog* 2012;8:e1003095.
86. Strockbine LD, Cohen JI, Farrah T, et al.: The Epstein-Barr virus BARP1 gene encodes a novel, soluble colony-stimulating factor-1 receptor. *J Virol* 1998;72:4015-21.
87. Meng Q, Hagemeyer SR, Fingerhuth JD, Gershburg E, Pagano JS, Kenney SC: The Epstein-Barr virus (EBV)-encoded protein kinase, EBV-PK, but not the thymidine kinase (EBV-TK), is required for ganciclovir and acyclovir inhibition of lytic viral production. *J Virol* 2010;84:4534-42.
88. Ambinder RF, Robertson KD, Tao Q: DNA methylation and the Epstein-Barr virus. *Semin Cancer Biol* 1999;9:369-75.

89. Bhende PM, Seaman WT, Delecluse HJ, Kenney SC: The EBV lytic switch protein, Z, preferentially binds to and activates the methylated viral genome. *Nat Genet* 2004;36:1099-104.
90. Ernberg I, Falk K, Minarovits J, et al.: The role of methylation in the phenotype-dependent modulation of Epstein-Barr nuclear antigen 2 and latent membrane protein genes in cells latently infected with Epstein-Barr virus. *J Gen Virol* 1989;70 (Pt 11):2989-3002.
91. Minarovits J, Minarovits-Kormuta S, Ehlin-Henriksson B, Falk K, Klein G, Ernberg I: Host cell phenotype-dependent methylation patterns of Epstein-Barr virus DNA. *J Gen Virol* 1991;72 (Pt 7):1591-9.
92. Lupton S, Levine AJ: Mapping genetic elements of Epstein-Barr virus that facilitate extrachromosomal persistence of Epstein-Barr virus-derived plasmids in human cells. *Mol Cell Biol* 1985;5:2533-42.
93. Yates JL, Warren N, Sugden B: Stable replication of plasmids derived from Epstein-Barr virus in various mammalian cells. *Nature* 1985;313:812-5.
94. Frappier L: EBNA1 and host factors in Epstein-Barr virus latent DNA replication. *Curr Opin Virol* 2012;2:733-9.
95. Reisman D, Yates J, Sugden B: A putative origin of replication of plasmids derived from Epstein-Barr virus is composed of two cis-acting components. *Mol Cell Biol* 1985;5:1822-32.
96. Rawlins DR, Milman G, Hayward SD, Hayward GS: Sequence-specific DNA binding of the Epstein-Barr virus nuclear antigen (EBNA-1) to clustered sites in the plasmid maintenance region. *Cell* 1985;42:859-68.
97. Ambinder RF, Mullen MA, Chang YN, Hayward GS, Hayward SD: Functional domains of Epstein-Barr virus nuclear antigen EBNA-1. *J Virol* 1991;65:1466-78.
98. Canaan A, Haviv I, Urban AE, et al.: EBNA1 regulates cellular gene expression by binding cellular promoters. *Proc Natl Acad Sci U S A* 2009;106:22421-6.
99. Lu J, Murakami M, Verma SC, et al.: Epstein-Barr Virus nuclear antigen 1 (EBNA1) confers resistance to apoptosis in EBV-positive B-lymphoma cells through up-regulation of survivin. *Virology* 2011;410:64-75.
100. Gahn TA, Sugden B: An EBNA-1-dependent enhancer acts from a distance of 10 kilobase pairs to increase expression of the Epstein-Barr virus LMP gene. *J Virol* 1995;69:2633-6.
101. Chaudhuri B, Xu H, Todorov I, Dutta A, Yates JL: Human DNA replication initiation factors, ORC and MCM, associate with oriP of Epstein-Barr virus. *Proc Natl Acad Sci U S A* 2001;98:10085-9.
102. Moriyama K, Yoshizawa-Sugata N, Obuse C, Tsurimoto T, Masai H: Epstein-Barr nuclear antigen 1 (EBNA1)-dependent recruitment of origin recognition complex (Orc) on oriP of Epstein-Barr virus with purified proteins: stimulation by Cdc6 through its direct interaction with EBNA1. *J Biol Chem* 2012;287:23977-94.
103. Zhang D, Frappier L, Gibbs E, Hurwitz J, O'Donnell M: Human RPA (hSSB) interacts with EBNA1, the latent origin binding protein of Epstein-Barr virus. *Nucleic Acids Res* 1998;26:631-7.
104. Kim AL, Maher M, Hayman JB, et al.: An imperfect correlation between DNA replication activity of Epstein-Barr virus nuclear antigen 1 (EBNA1) and binding to the nuclear import receptor, Rch1/importin alpha. *Virology* 1997;239:340-51.
105. Wu H, Kapoor P, Frappier L: Separation of the DNA replication, segregation, and transcriptional activation functions of Epstein-Barr nuclear antigen 1. *J Virol* 2002;76:2480-90.
106. Sears J, Ujihara M, Wong S, Ott C, Middeldorp J, Aiyar A: The amino terminus of Epstein-Barr Virus (EBV) nuclear antigen 1 contains AT hooks that facilitate the replication and partitioning of latent EBV genomes by tethering them to cellular chromosomes. *J Virol* 2004;78:11487-505.
107. Wu H, Ceccarelli DF, Frappier L: The DNA segregation mechanism of Epstein-Barr virus nuclear antigen 1. *EMBO Rep* 2000;1:140-4.
108. Shire K, Ceccarelli DF, volio-Hunter TM, Frappier L: EBP2, a human protein that interacts with sequences of the Epstein-Barr virus nuclear antigen 1 important for plasmid maintenance. *J Virol* 1999;73:2587-95.
109. Wang Y, Finan JE, Middeldorp JM, Hayward SD: P32/TAP, a cellular protein that interacts with EBNA-1 of Epstein-Barr virus. *Virology* 1997;236:18-29.
110. Kanda T, Kamiya M, Maruo S, Iwakiri D, Takada K: Symmetrical localization of extrachromosomally replicating viral genomes on sister chromatids. *J Cell Sci* 2007;120:1529-39.
111. Mackey D, Sugden B: The linking regions of EBNA1 are essential for its support of replication and transcription. *Mol Cell Biol* 1999;19:3349-59.
112. Howe JG, Steitz JA: Localization of Epstein-Barr virus-encoded small RNAs by in situ hybridization. *Proc Natl Acad Sci U S A* 1986;83:9006-10.
113. Swaminathan S, Tomkinson B, Kieff E: Recombinant Epstein-Barr virus with small RNA (EBER) genes deleted transforms lymphocytes and replicates in vitro. *Proc Natl Acad Sci U S A* 1991;88:1546-50.
114. Lerner MR, Andrews NC, Miller G, Steitz JA: Two small RNAs encoded by Epstein-Barr virus and complexed with protein are precipitated by antibodies from patients with systemic lupus erythematosus. *Proc Natl Acad Sci U S A* 1981;78:805-9.
115. Toczyski DP, Matera AG, Ward DC, Steitz JA: The Epstein-Barr virus (EBV) small RNA EBER1 binds and relocalizes ribosomal protein L22 in EBV-infected human B lymphocytes. *Proc Natl Acad Sci U S A* 1994;91:3463-7.
116. Clemens MJ, Laing KG, Jeffrey IW, et al.: Regulation of the interferon-inducible eIF-2 alpha protein kinase by small RNAs. *Biochimie* 1994;76:770-8.

117. Samanta M, Iwakiri D, Takada K: Epstein-Barr virus-encoded small RNA induces IL-10 through RIG-I-mediated IRF-3 signaling. *Oncogene* 2008;27:4150-60.
118. Sharp TV, Raine DA, Gewert DR, Joshi B, Jagus R, Clemens MJ: Activation of the interferon-inducible (2'-5') oligoadenylate synthetase by the Epstein-Barr virus RNA, EBV-1. *Virology* 1999;257:303-13.
119. Kitagawa N, Goto M, Kurozumi K, et al.: Epstein-Barr virus-encoded poly(A)(-) RNA supports Burkitt's lymphoma growth through interleukin-10 induction. *EMBO J* 2000;19:6742-50.
120. Komano J, Maruo S, Kurozumi K, Oda T, Takada K: Oncogenic role of Epstein-Barr virus-encoded RNAs in Burkitt's lymphoma cell line Akata. *J Virol* 1999;73:9827-31.
121. Iwakiri D, Zhou L, Samanta M, et al.: Epstein-Barr virus (EBV)-encoded small RNA is released from EBV-infected cells and activates signaling from Toll-like receptor 3. *J Exp Med* 2009;206:2091-9.
122. Zomer A, Vendrig T, Hopmans ES, van EM, Middeldorp JM, Pegtel DM: Exosomes: Fit to deliver small RNA. *Commun Integr Biol* 2010;3:447-50.
123. Altmann M, Pich D, Ruiss R, Wang J, Sugden B, Hammerschmidt W: Transcriptional activation by EBV nuclear antigen 1 is essential for the expression of EBV's transforming genes. *Proc Natl Acad Sci U S A* 2006;103:14188-93.
124. Srinivas SK, Sixbey JW: Epstein-Barr virus induction of recombinase-activating genes RAG1 and RAG2. *J Virol* 1995;69:8155-8.
125. Sivachandran N, Sarkari F, Frappier L: Epstein-Barr nuclear antigen 1 contributes to nasopharyngeal carcinoma through disruption of PML nuclear bodies. *PLoS Pathog* 2008;4:e1000170.
126. Saridakis V, Sheng Y, Sarkari F, et al.: Structure of the p53 binding domain of HAUSP/USP7 bound to Epstein-Barr nuclear antigen 1 implicates for EBV-mediated immortalization. *Mol Cell* 2005;18:25-36.
127. Wood VH, O'Neil JD, Wei W, Stewart SE, Dawson CW, Young LS: Epstein-Barr virus-encoded EBNA1 regulates cellular gene transcription and modulates the STAT1 and TGFbeta signaling pathways. *Oncogene* 2007;26:4135-47.
128. Flavell JR, Baumforth KR, Wood VH, et al.: Down-regulation of the TGF-beta target gene, PTPRK, by the Epstein-Barr virus encoded EBNA1 contributes to the growth and survival of Hodgkin lymphoma cells. *Blood* 2008;111:292-301.
129. Levitskaya J, Sharipo A, Leonchiks A, Ciechanover A, Masucci MG: Inhibition of ubiquitin/proteasome-dependent protein degradation by the Gly-Ala repeat domain of the Epstein-Barr virus nuclear antigen 1. *Proc Natl Acad Sci U S A* 1997;94:12616-21.
130. Peng M, Lundgren E: Transient expression of the Epstein-Barr virus LMP1 gene in human primary B cells induces cellular activation and DNA synthesis. *Oncogene* 1992;7:1775-82.
131. Wang D, Liebowitz D, Kieff E: An EBV membrane protein expressed in immortalized lymphocytes transforms established rodent cells. *Cell* 1985;43:831-40.
132. Kulwichit W, Edwards RH, Davenport EM, Baskar JF, Godfrey V, Raab-Traub N: Expression of the Epstein-Barr virus latent membrane protein 1 induces B cell lymphoma in transgenic mice. *Proc Natl Acad Sci U S A* 1998;95:11963-8.
133. Tso SW, Tramoutanis G, Dawson CW, Lo AK, Huang DP: The significance of LMP1 expression in nasopharyngeal carcinoma. *Semin Cancer Biol* 2002;12:473-87.
134. Morris MA, Dawson CW, Young LS: Role of the Epstein-Barr virus-encoded latent membrane protein-1, LMP1, in the pathogenesis of nasopharyngeal carcinoma. *Future Oncol* 2009;5:811-25.
135. Hennessy K, Fennewald S, Kieff E: A third viral nuclear protein in lymphoblasts immortalized by Epstein-Barr virus. *Proc Natl Acad Sci U S A* 1985;82:5944-8.
136. Moorthy R, Thorley-Lawson DA: Processing of the Epstein-Barr virus-encoded latent membrane protein p63/LMP. *J Virol* 1990;64:829-37.
137. Verweij FJ, van Eijndhoven MA, Hopmans ES, et al.: LMP1 association with CD63 in endosomes and secretion via exosomes limits constitutive NF-kappaB activation. *EMBO J* 2011;30:2115-29.
138. Lam N, Sugden B: LMP1, a viral relative of the TNF receptor family, signals principally from intracellular compartments. *EMBO J* 2003;22:3027-38.
139. Devergne O, Hatzivassiliou E, Izumi KM, et al.: Association of TRAF1, TRAF2, and TRAF3 with an Epstein-Barr virus LMP1 domain important for B-lymphocyte transformation: role in NF-kappaB activation. *Mol Cell Biol* 1996;16:7098-108.
140. Gires O, Kohlhuber F, Kilger E, et al.: Latent membrane protein 1 of Epstein-Barr virus interacts with JAK3 and activates STAT proteins. *EMBO J* 1999;18:3064-73.
141. Wang Z, Luo F, Li L, et al.: STAT3 activation induced by Epstein-Barr virus latent membrane protein1 causes vascular endothelial growth factor expression and cellular invasiveness via JAK3 And ERK signaling. *Eur J Cancer* 2010;46:2996-3006.
142. Eliopoulos AG, Gallagher NJ, Blake SM, Dawson CW, Young LS: Activation of the p38 mitogen-activated protein kinase pathway by Epstein-Barr virus-encoded latent membrane protein 1 coregulates interleukin-6 and interleukin-8 production. *J Biol Chem* 1999;274:16085-96.
143. Dawson CW, Tramoutanis G, Eliopoulos AG, Young LS: Epstein-Barr virus latent membrane protein 1 (LMP1) activates the phosphatidylinositol 3-kinase/Akt pathway to promote cell survival and induce actin filament remodeling. *J Biol Chem* 2003;278:3694-704.
144. Dawson CW, Laverick L, Morris MA, Tramoutanis G, Young LS: Epstein-Barr virus-encoded LMP1 regulates epithelial cell motility and invasion via the ERK-MAPK pathway. *J Virol* 2008;82:3654-64.

145. Fries KL, Miller WE, Raab-Traub N: Epstein-Barr virus latent membrane protein 1 blocks p53-mediated apoptosis through the induction of the A20 gene. *J Virol* 1996;70:8653-9.
146. Muroso S, Inoue H, Tanabe T, et al.: Induction of cyclooxygenase-2 by Epstein-Barr virus latent membrane protein 1 is involved in vascular endothelial growth factor production in nasopharyngeal carcinoma cells. *Proc Natl Acad Sci U S A* 2001;98:6905-10.
147. Wakisaka N, Muroso S, Yoshizaki T, Furukawa M, Pagano JS: Epstein-barr virus latent membrane protein 1 induces and causes release of fibroblast growth factor-2. *Cancer Res* 2002;62:6337-44.
148. Yoshizaki T, Horikawa T, Qing-Chun R, et al.: Induction of interleukin-8 by Epstein-Barr virus latent membrane protein-1 and its correlation to angiogenesis in nasopharyngeal carcinoma. *Clin Cancer Res* 2001;7:1946-51.
149. Horikawa T, Sheen TS, Takeshita H, Sato H, Furukawa M, Yoshizaki T: Induction of c-Met proto-oncogene by Epstein-Barr virus latent membrane protein-1 and the correlation with cervical lymph node metastasis of nasopharyngeal carcinoma. *Am J Pathol* 2001;159:27-33.
150. Horikawa T, Yoshizaki T, Sheen TS, Lee SY, Furukawa M: Association of latent membrane protein 1 and matrix metalloproteinase 9 with metastasis in nasopharyngeal carcinoma. *Cancer* 2000;89:715-23.
151. Eliopoulos AG, Stack M, Dawson CW, et al.: Epstein-Barr virus-encoded LMP1 and CD40 mediate IL-6 production in epithelial cells via an NF-kappaB pathway involving TNF receptor-associated factors. *Oncogene* 1997;14:2899-916.
152. Takegawa S, Jin Z, Nakayama T, et al.: Expression of CCL17 and CCL22 by latent membrane protein 1-positive tumor cells in age-related Epstein-Barr virus-associated B-cell lymphoproliferative disorder. *Cancer Sci* 2008;99:296-302.
153. Zhang Q, Brooks L, Busson P, et al.: Epstein-Barr virus (EBV) latent membrane protein 1 increases HLA class II expression in an EBV-negative B cell line. *Eur J Immunol* 1994;24:1467-70.
154. Pai S, O'Sullivan BJ, Cooper L, Thomas R, Khanna R: RelB nuclear translocation mediated by C-terminal activator regions of Epstein-Barr virus-encoded latent membrane protein 1 and its effect on antigen-presenting function in B cells. *J Virol* 2002;76:1914-21.
155. Geiger TR, Martin JM: The Epstein-Barr virus-encoded LMP-1 oncoprotein negatively affects Tyk2 phosphorylation and interferon signaling in human B cells. *J Virol* 2006;80:11638-50.
156. Dukers DF, Meij P, Vervoort MB, et al.: Direct immunosuppressive effects of EBV-encoded latent membrane protein 1. *J Immunol* 2000;165:663-70.
157. Flanagan J, Middeldorp J, Sculley T: Localization of the Epstein-Barr virus protein LMP1 to exosomes. *J Gen Virol* 2003;84:1871-9.
158. Middeldorp JM, Pegtel DM: Multiple roles of LMP1 in Epstein-Barr virus induced immune escape. *Semin Cancer Biol* 2008;18:388-96.
159. Brooks L, Yao QY, Rickinson AB, Young LS: Epstein-Barr virus latent gene transcription in nasopharyngeal carcinoma cells: coexpression of EBNA1, LMP1, and LMP2 transcripts. *J Virol* 1992;66:2689-97.
160. Fahraeus R, Fu HL, Ernberg I, et al.: Expression of Epstein-Barr virus-encoded proteins in nasopharyngeal carcinoma. *Int J Cancer* 1988;42:329-38.
161. Young LS, Dawson CW, Clark D, et al.: Epstein-Barr virus gene expression in nasopharyngeal carcinoma. *J Gen Virol* 1988;69 (Pt 5):1051-65.
162. Longnecker R, Druker B, Roberts TM, Kieff E: An Epstein-Barr virus protein associated with cell growth transformation interacts with a tyrosine kinase. *J Virol* 1991;65:3681-92.
163. Rovedo M, Longnecker R: Epstein-barr virus latent membrane protein 2B (LMP2B) modulates LMP2A activity. *J Virol* 2007;81:84-94.
164. Ikeda M, Longnecker R: Cholesterol is critical for Epstein-Barr virus latent membrane protein 2A trafficking and protein stability. *Virology* 2007;360:461-8.
165. Lynch DT, Zimmerman JS, Rowe DT: Epstein-Barr virus latent membrane protein 2B (LMP2B) co-localizes with LMP2A in perinuclear regions in transiently transfected cells. *J Gen Virol* 2002;83:1025-35.
166. Tomaszewski-Flick MJ, Rowe DT: Minimal protein domain requirements for the intracellular localization and self-aggregation of Epstein-Barr virus latent membrane protein 2. *Virus Genes* 2007;35:225-34.
167. Longnecker R, Kieff E: A second Epstein-Barr virus membrane protein (LMP2) is expressed in latent infection and colocalizes with LMP1. *J Virol* 1990;64:2319-26.
168. Longnecker R: Epstein-Barr virus latency: LMP2, a regulator or means for Epstein-Barr virus persistence? *Adv Cancer Res* 2000;79:175-200.
169. Moody CA, Scott RS, Su T, Sixbey JW: Length of Epstein-Barr virus termini as a determinant of epithelial cell clonal emergence. *J Virol* 2003;77:8555-61.
170. Longnecker R, Miller CL: Regulation of Epstein-Barr virus latency by latent membrane protein 2. *Trends Microbiol* 1996;4:38-42.
171. Fruhling S, Longnecker R: The immunoreceptor tyrosine-based activation motif of Epstein-Barr virus LMP2A is essential for blocking BCR-mediated signal transduction. *Virology* 1997;235:241-51.
172. Portis T, Longnecker R: Epstein-Barr virus (EBV) LMP2A mediates B-lymphocyte survival through constitutive activation of the Ras/PI3K/Akt pathway. *Oncogene* 2004;23:8619-28.

173. Pang MF, Lin KW, Peh SC: The signaling pathways of Epstein-Barr virus-encoded latent membrane protein 2A (LMP2A) in latency and cancer. *Cell Mol Biol Lett* 2009;14:222-47.
174. Portis T, Cooper L, Dennis P, Longnecker R: The LMP2A signalosome--a therapeutic target for Epstein-Barr virus latency and associated disease. *Front Biosci* 2002;7:d414-d426.
175. Scholle F, Bendt KM, Raab-Traub N: Epstein-Barr virus LMP2A transforms epithelial cells, inhibits cell differentiation, and activates Akt. *J Virol* 2000;74:10681-9.
176. Fukuda M, Longnecker R: Epstein-Barr virus latent membrane protein 2A mediates transformation through constitutive activation of the Ras/PI3-K/Akt Pathway. *J Virol* 2007;81:9299-306.
177. Allen MD, Young LS, Dawson CW: The Epstein-Barr virus-encoded LMP2A and LMP2B proteins promote epithelial cell spreading and motility. *J Virol* 2005;79:1789-802.
178. Morrison JA, Klingelhut AJ, Raab-Traub N: Epstein-Barr virus latent membrane protein 2A activates beta-catenin signaling in epithelial cells. *J Virol* 2003;77:12276-84.
179. Morrison JA, Raab-Traub N: Roles of the ITAM and PY motifs of Epstein-Barr virus latent membrane protein 2A in the inhibition of epithelial cell differentiation and activation of (beta)-catenin signaling. *J Virol* 2005;79:2375-82.
180. Fotheringham JA, Mazzucca S, Raab-Traub N: Epstein-Barr virus latent membrane protein-2A-induced DeltaNp63alpha expression is associated with impaired epithelial-cell differentiation. *Oncogene* 2010;29:4287-96.
181. Guo C, Pan ZG, Li DJ, et al.: The expression of p63 is associated with the differential stage in nasopharyngeal carcinoma and EBV infection. *J Transl Med* 2006;4:23.
182. Hitt MM, Allday MJ, Hara T, et al.: EBV gene expression in an NPC-related tumour. *EMBO J* 1989;8:2639-51.
183. Tao Q, Robertson KD, Manns A, Hildesheim A, Ambinder RF: Epstein-Barr virus (EBV) in endemic Burkitt's lymphoma: molecular analysis of primary tumor tissue. *Blood* 1998;91:1373-81.
184. Chen H, Smith P, Ambinder RF, Hayward SD: Expression of Epstein-Barr virus BamHI-A rightward transcripts in latently infected B cells from peripheral blood. *Blood* 1999;93:3026-32.
185. van Beek J, Brink AA, Vervoort MB, et al.: In vivo transcription of the Epstein-Barr virus (EBV) BamHI-A region without associated in vivo BARF0 protein expression in multiple EBV-associated disorders. *J Gen Virol* 2003;84:2647-59.
186. Smith PR, de JO, Turner D, et al.: Structure and coding content of CST (BART) family RNAs of Epstein-Barr virus. *J Virol* 2000;74:3082-92.
187. Kienzle N, Buck M, Greco S, Krauer K, Sculley TB: Epstein-Barr virus-encoded RK-BARF0 protein expression. *J Virol* 1999;73:8902-6.
188. Thornburg NJ, Kusano S, Raab-Traub N: Identification of Epstein-Barr virus RK-BARF0-interacting proteins and characterization of expression pattern. *J Virol* 2004;78:12848-56.
189. Zhang J, Chen H, Weinmaster G, Hayward SD: Epstein-Barr virus BamHI-a rightward transcript-encoded RPMS protein interacts with the CBF1-associated corepressor CIR to negatively regulate the activity of EBNA2 and Notch1C. *J Virol* 2001;75:2946-56.
190. Barth S, Meister G, Grasser FA: EBV-encoded miRNAs. *Biochim Biophys Acta* 2011;1809:631-40.
191. Pfeffer S, Zavolan M, Grasser FA, et al.: Identification of virus-encoded microRNAs. *Science* 2004;304:734-6.
192. Cai X, Schafer A, Lu S, et al.: Epstein-Barr virus microRNAs are evolutionarily conserved and differentially expressed. *PLoS Pathog* 2006;2:e23.
193. Grundhoff A, Sullivan CS, Ganem D: A combined computational and microarray-based approach identifies novel microRNAs encoded by human gamma-herpesviruses. *RNA* 2006;12:733-50.
194. Zhu JY, Pfuhl T, Motsch N, et al.: Identification of novel Epstein-Barr virus microRNA genes from nasopharyngeal carcinomas. *J Virol* 2009;83:3333-41.
195. Chen SJ, Chen GH, Chen YH, et al.: Characterization of Epstein-Barr virus miRNAome in nasopharyngeal carcinoma by deep sequencing. *PLoS One* 2010;5.
196. Barth S, Pfuhl T, Mamiani A, et al.: Epstein-Barr virus-encoded microRNA miR-BART2 down-regulates the viral DNA polymerase BALF5. *Nucleic Acids Res* 2008;36:666-75.
197. Lung RW, Tong JH, Sung YM, et al.: Modulation of LMP2A expression by a newly identified Epstein-Barr virus-encoded microRNA miR-BART22. *Neoplasia* 2009;11:1174-84.
198. Lo AK, To KF, Lo KW, et al.: Modulation of LMP1 protein expression by EBV-encoded microRNAs. *Proc Natl Acad Sci U S A* 2007;104:16164-9.
199. Iizasa H, Wulff BE, Alla NR, et al.: Editing of Epstein-Barr virus-encoded BART6 microRNAs controls their dicer targeting and consequently affects viral latency. *J Biol Chem* 2010;285:33358-70.
200. Marquitz AR, Mathur A, Nam CS, Raab-Traub N: The Epstein-Barr Virus BART microRNAs target the pro-apoptotic protein Bim. *Virology* 2011;412:392-400.
201. Dolken L, Malterer G, Erhard F, et al.: Systematic analysis of viral and cellular microRNA targets in cells latently infected with human gamma-herpesviruses by RISC immunoprecipitation assay. *Cell Host Microbe* 2010;7:324-34.
202. Wong AM, Kong KL, Tsang JW, Kwong DL, Guan XY: Profiling of Epstein-Barr virus-encoded microRNAs in nasopharyngeal carcinoma reveals potential biomarkers and oncomirs. *Cancer* 2012;118:698-710.

203. Feederle R, Haar J, Bernhardt K, et al.: The members of an Epstein-Barr virus microRNA cluster cooperate to transform B lymphocytes. *J Virol* 2011;85:9801-10.
204. Pegtel DM, Cosmopoulos K, Thorley-Lawson DA, et al.: Functional delivery of viral miRNAs via exosomes. *Proc Natl Acad Sci U S A* 2010;107:6328-33.
205. Meckes DG, Jr., Shair KH, Marquitz AR, Kung CP, Edwards RH, Raab-Traub N: Human tumor virus utilizes exosomes for intercellular communication. *Proc Natl Acad Sci U S A* 2010;107:20370-5.
206. Pegtel DM, van deG, Middeldorp JM: Viral miRNAs exploiting the endosomal-exosomal pathway for intercellular cross-talk and immune evasion. *Biochim Biophys Acta* 2011;1809:715-21.
207. Brink AA, Vervoort MB, Middeldorp JM, Meijer CJ, van den Brule AJ: Nucleic acid sequence-based amplification, a new method for analysis of spliced and unspliced Epstein-Barr virus latent transcripts, and its comparison with reverse transcriptase PCR. *J Clin Microbiol* 1998;36:3164-9.
208. Hayes DP, Brink AA, Vervoort MB, Middeldorp JM, Meijer CJ, van den Brule AJ: Expression of Epstein-Barr virus (EBV) transcripts encoding homologues to important human proteins in diverse EBV associated diseases. *Mol Pathol* 1999;52:97-103.
209. Stevens SJ, Verkuiljen SA, Hariwiyanto B, et al.: Noninvasive diagnosis of nasopharyngeal carcinoma: nasopharyngeal brushings reveal high Epstein-Barr virus DNA load and carcinoma-specific viral BART1 mRNA. *Int J Cancer* 2006;119:608-14.
210. de Turenne-Tessier M, Ooka T: Post-translational modifications of Epstein Barr virus BART1 oncogene-encoded polypeptide. *J Gen Virol* 2007;88:2656-61.
211. Hoebe EK, Hutajulu SH, van BJ, et al.: Purified hexameric Epstein-Barr virus-encoded BART1 protein for measuring anti-BART1 antibody responses in nasopharyngeal carcinoma patients. *Clin Vaccine Immunol* 2011;18:298-304.
212. Tarbouriech N, Ruggiero F, de Turenne-Tessier M, Ooka T, Burmeister WP: Structure of the Epstein-Barr virus oncogene BART1. *J Mol Biol* 2006;359:667-78.
213. Guo X, Sheng W, Zhang Y: [Malignant transformation of monkey kidney epithelial cell induced by EBV BART1 gene and TPA]. *Zhonghua Shi Yan He Lin Chuang Bing Du Xue Za Zhi* 2001;15:321-3.
214. Song LB, Zen MS, Zhang L, et al.: [Effect of EBV encoded BART1 gene on malignant transformation of human epithelial cell line HBE]. *Ai Zheng* 2004;23:1361-4.
215. Wei MX, Ooka T: A transforming function of the BART1 gene encoded by Epstein-Barr virus. *EMBO J* 1989;8:2897-903.
216. Sheng W, Decaussin G, Sumner S, Ooka T: N-terminal domain of BART1 gene encoded by Epstein-Barr virus is essential for malignant transformation of rodent fibroblasts and activation of BCL-2. *Oncogene* 2001;20:1176-85.
217. Sheng W, Decaussin G, Ligout A, Takada K, Ooka T: Malignant transformation of Epstein-Barr virus-negative Akata cells by introduction of the BART1 gene carried by Epstein-Barr virus. *J Virol* 2003;77:3859-65.
218. Jiang R, Cabras G, Sheng W, Zeng Y, Ooka T: Synergism of BART1 with Ras induces malignant transformation in primary primate epithelial cells and human nasopharyngeal epithelial cells. *Neoplasia* 2009;11:964-73.
219. Sall A, Caserta S, Jolicoeur P, Franqueville L, de Turenne-Tessier M, Ooka T: Mitogenic activity of Epstein-Barr virus-encoded BART1 protein. *Oncogene* 2004;23:4938-44.
220. Wei MX, Moulin JC, Decaussin G, Berger F, Ooka T: Expression and tumorigenicity of the Epstein-Barr virus BART1 gene in human Louckes B-lymphocyte cell line. *Cancer Res* 1994;54:1843-8.
221. Wang Q, Tsao SW, Ooka T, et al.: Anti-apoptotic role of BART1 in gastric cancer cells. *Cancer Lett* 2006;238:90-103.
222. Elegheert J, Bracke N, Pouliot P, et al.: Allosteric competitive inactivation of hematopoietic CSF-1 signaling by the viral decoy receptor BART1. *Nat Struct Mol Biol* 2012;19:938-47.
223. Hoebe EK, Le Large TY, Tarbouriech N, et al.: Epstein-Barr Virus-Encoded BART1 Protein is a Decoy Receptor for Macrophage Colony Stimulating Factor and Interferes with Macrophage Differentiation and Activation. *Viral Immunol* 2012;25:461-70.
224. Ohashi M, Orlova N, Quink C, Wang F: Cloning of the Epstein-Barr virus-related rhesus lymphocryptovirus as a bacterial artificial chromosome: a loss-of-function mutation of the rhBART1 immune evasion gene. *J Virol* 2011;85:1330-9.
225. Shim AH, Chang RA, Chen X, Longnecker R, He X: Multipronged attenuation of macrophage-colony stimulating factor signaling by Epstein-Barr virus BART1. *Proc Natl Acad Sci U S A* 2012;109:12962-7.
226. Fiola S, Gosselin D, Takada K, Gosselin J: TLR9 contributes to the recognition of EBV by primary monocytes and plasmacytoid dendritic cells. *J Immunol* 2010;185:3620-31.
227. Subklewe M, Paludan C, Tsang ML, Mahnke K, Steinman RM, Munz C: Dendritic cells cross-present latency gene products from Epstein-Barr virus-transformed B cells and expand tumor-reactive CD8(+) killer T cells. *J Exp Med* 2001;193:405-11.
228. Bickham K, Goodman K, Paludan C, et al.: Dendritic cells initiate immune control of Epstein-Barr virus transformation of B lymphocytes in vitro. *J Exp Med* 2003;198:1653-63.
229. Balfour HH, Jr., Odumade OA, Schmeling DO, et al.: Behavioral, virologic, and immunologic factors associated with acquisition and severity of primary Epstein-Barr virus infection in university students. *J Infect Dis* 2013;207:80-8.
230. Tomkinson BE, Wagner DK, Nelson DL, Sullivan JL: Activated lymphocytes during acute Epstein-Barr virus infection. *J Immunol* 1987;139:3802-7.
231. Williams H, McAulay K, Macsween KF, et al.: The immune response to primary EBV infection: a role for natural killer cells. *Br J Haematol* 2005;129:266-74.

232. Shaw RK, Issekutz AC, Fraser R, et al.: Bilateral adrenal EBV-associated smooth muscle tumors in a child with a natural killer cell deficiency. *Blood* 2012;119:4009-12.
233. Eidenschenk C, Dunne J, Jouanguy E, et al.: A novel primary immunodeficiency with specific natural-killer cell deficiency maps to the centromeric region of chromosome 8. *Am J Hum Genet* 2006;78:721-7.
234. Hislop AD, Palendira U, Leese AM, et al.: Impaired Epstein-Barr virus-specific CD8+ T-cell function in X-linked lymphoproliferative disease is restricted to SLAM family-positive B-cell targets. *Blood* 2010;116:3249-57.
235. Strowig T, Brilot F, Arrey F, et al.: Tonsillar NK cells restrict B cell transformation by the Epstein-Barr virus via IFN-gamma. *PLoS Pathog* 2008;4:e27.
236. Hoshino Y, Nishikawa K, Ito Y, Kuzushima K, Kimura H: Kinetics of Epstein-Barr virus load and virus-specific CD8+ T cells in acute infectious mononucleosis. *J Clin Virol* 2011;50:244-6.
237. Callan MF, Fazou C, Yang H, et al.: CD8(+) T-cell selection, function, and death in the primary immune response in vivo. *J Clin Invest* 2000;106:1251-61.
238. Annels NE, Callan MF, Tan L, Rickinson AB: Changing patterns of dominant TCR usage with maturation of an EBV-specific cytotoxic T cell response. *J Immunol* 2000;165:4831-41.
239. Hislop AD, Gudgeon NH, Callan MF, et al.: EBV-specific CD8+ T cell memory: relationships between epitope specificity, cell phenotype, and immediate effector function. *J Immunol* 2001;167:2019-29.
240. Hislop AD, Annels NE, Gudgeon NH, Leese AM, Rickinson AB: Epitope-specific evolution of human CD8(+) T cell responses from primary to persistent phases of Epstein-Barr virus infection. *J Exp Med* 2002;195:893-905.
241. Silins SL, Sherritt MA, Silleri JM, et al.: Asymptomatic primary Epstein-Barr virus infection occurs in the absence of blood T-cell repertoire perturbations despite high levels of systemic viral load. *Blood* 2001;98:3739-44.
242. Fleisher G, Henle W, Henle G, Lennette ET, Biggar RJ: Primary infection with Epstein-Barr virus in infants in the United States: clinical and serologic observations. *J Infect Dis* 1979;139:553-8.
243. Piriou E, Asito AS, Sumba PO, et al.: Early age at time of primary Epstein-Barr virus infection results in poorly controlled viral infection in infants from Western Kenya: clues to the etiology of endemic Burkitt lymphoma. *J Infect Dis* 2012;205:906-13.
244. Bollard CM, Rooney CM, Heslop HE: T-cell therapy in the treatment of post-transplant lymphoproliferative disease. *Nat Rev Clin Oncol* 2012;9:510-9.
245. Hoshino Y, Morishima T, Kimura H, Nishikawa K, Tsurumi T, Kuzushima K: Antigen-driven expansion and contraction of CD8+ activated T cells in primary EBV infection. *J Immunol* 1999;163:5735-40.
246. Spaeny-Dekking EH, Hanna WL, Wolbink AM, et al.: Extracellular granzymes A and B in humans: detection of native species during CTL responses in vitro and in vivo. *J Immunol* 1998;160:3610-6.
247. Callan MF, Tan L, Annels N, et al.: Direct visualization of antigen-specific CD8+ T cells during the primary immune response to Epstein-Barr virus in vivo. *J Exp Med* 1998;187:1395-402.
248. Tamaru Y, Miyawaki T, Iwai K, et al.: Absence of bcl-2 expression by activated CD45RO+ T lymphocytes in acute infectious mononucleosis supporting their susceptibility to programmed cell death. *Blood* 1993;82:521-7.
249. Faint JM, Annels NE, Curnow SJ, et al.: Memory T cells constitute a subset of the human CD8+CD45RA+ pool with distinct phenotypic and migratory characteristics. *J Immunol* 2001;167:212-20.
250. Murray RJ, Kurilla MG, Brooks JM, et al.: Identification of target antigens for the human cytotoxic T cell response to Epstein-Barr virus (EBV): implications for the immune control of EBV-positive malignancies. *J Exp Med* 1992;176:157-68.
251. Steven NM, Annels NE, Kumar A, Leese AM, Kurilla MG, Rickinson AB: Immediate early and early lytic cycle proteins are frequent targets of the Epstein-Barr virus-induced cytotoxic T cell response. *J Exp Med* 1997;185:1605-17.
252. Meij P, Leen A, Rickinson AB, et al.: Identification and prevalence of CD8(+) T-cell responses directed against Epstein-Barr virus-encoded latent membrane protein 1 and latent membrane protein 2. *Int J Cancer* 2002;99:93-9.
253. Martorelli D, Houali K, Caggiari L, et al.: Spontaneous T cell responses to Epstein-Barr virus-encoded BART1 protein and derived peptides in patients with nasopharyngeal carcinoma: bases for improved immunotherapy. *Int J Cancer* 2008;123:1100-7.
254. Pasini E, Caggiari L, Dal ML, et al.: Undifferentiated nasopharyngeal carcinoma from a nonendemic area: protective role of HLA allele products presenting conserved EBV epitopes. *Int J Cancer* 2009;125:1358-64.
255. Khanna R, Burrows SR, Nicholls J, Poulsen LM: Identification of cytotoxic T cell epitopes within Epstein-Barr virus (EBV) oncogene latent membrane protein 1 (LMP1): evidence for HLA A2 supertype-restricted immune recognition of EBV-infected cells by LMP1-specific cytotoxic T lymphocytes. *Eur J Immunol* 1998;28:451-8.
256. Blake N, Haigh T, Shaka'a G, Croom-Carter D, Rickinson A: The importance of exogenous antigen in priming the human CD8+ T cell response: lessons from the EBV nuclear antigen EBNA1. *J Immunol* 2000;165:7078-87.
257. Crough T, Burrows JM, Fazou C, Walker S, Davenport MP, Khanna R: Contemporaneous fluctuations in T cell responses to persistent herpes virus infections. *Eur J Immunol* 2005;35:139-49.
258. Ouyang Q, Wagner WM, Walter S, et al.: An age-related increase in the number of CD8+ T cells carrying receptors for an immunodominant Epstein-Barr virus (EBV) epitope is counteracted by a decreased frequency of their antigen-specific responsiveness. *Mech Ageing Dev* 2003;124:477-85.
259. Mautner J, Bornkamm GW: The role of virus-specific CD4+ T cells in the control of Epstein-Barr virus infection. *Eur J Cell Biol* 2012;91:31-5.

260. Amyes E, Hatton C, Montamat-Sicotte D, et al.: Characterization of the CD4+ T cell response to Epstein-Barr virus during primary and persistent infection. *J Exp Med* 2003;198:903-11.
261. Leen A, Meij P, Redchenko I, et al.: Differential immunogenicity of Epstein-Barr virus latent-cycle proteins for human CD4(+) T-helper 1 responses. *J Virol* 2001;75:8649-59.
262. Woodberry T, Suscovich TJ, Henry LM, et al.: Differential targeting and shifts in the immunodominance of Epstein-Barr virus-specific CD8 and CD4 T cell responses during acute and persistent infection. *J Infect Dis* 2005;192:1513-24.
263. Precopio ML, Sullivan JL, Willard C, Somasundaran M, Luzuriaga K: Differential kinetics and specificity of EBV-specific CD4+ and CD8+ T cells during primary infection. *J Immunol* 2003;170:2590-8.
264. Jung S, Chung YK, Chang SH, et al.: DNA-mediated immunization of glycoprotein 350 of Epstein-Barr virus induces the effective humoral and cellular immune responses against the antigen. *Mol Cells* 2001;12:41-9.
265. Moss DJ, Khanna R, Sherritt M, Elliott SL, Burrows SR: Developing immunotherapeutic strategies for the control of Epstein-Barr virus-associated malignancies. *J Acquir Immune Defic Syndr* 1999;21 Suppl 1:S80-S83.
266. Khanna R, Sherritt M, Burrows SR: EBV structural antigens, gp350 and gp85, as targets for ex vivo virus-specific CTL during acute infectious mononucleosis: potential use of gp350/gp85 CTL epitopes for vaccine design. *J Immunol* 1999;162:3063-9.
267. Sokal EM, Hoppenbrouwers K, Vandermeulen C, et al.: Recombinant gp350 vaccine for infectious mononucleosis: a phase 2, randomized, double-blind, placebo-controlled trial to evaluate the safety, immunogenicity, and efficacy of an Epstein-Barr virus vaccine in healthy young adults. *J Infect Dis* 2007;196:1749-53.
268. Rees L, Tizard EJ, Morgan AJ, et al.: A phase I trial of Epstein-Barr virus gp350 vaccine for children with chronic kidney disease awaiting transplantation. *Transplantation* 2009;88:1025-9.
269. Hess RD: Routine Epstein-Barr virus diagnostics from the laboratory perspective: still challenging after 35 years. *J Clin Microbiol* 2004;42:3381-7.
270. Middeldorp JM, Herbrink P: Epstein-Barr virus specific marker molecules for early diagnosis of infectious mononucleosis. *J Virol Methods* 1988;21:133-46.
271. Fachiroh J, Schouten T, Hariwiyanto B, et al.: Molecular diversity of Epstein-Barr virus IgG and IgA antibody responses in nasopharyngeal carcinoma: a comparison of Indonesian, Chinese, and European subjects. *J Infect Dis* 2004;190:53-62.
272. Okano M, Thiele GM, Davis JR, Grierson HL, Purtilo DT: Epstein-Barr virus and human diseases: recent advances in diagnosis. *Clin Microbiol Rev* 1988;1:300-12.
273. Bhaduri-McIntosh S, Landry ML, Nikiforow S, Rotenberg M, El-Guindy A, Miller G: Serum IgA antibodies to Epstein-Barr virus (EBV) early lytic antigens are present in primary EBV infection. *J Infect Dis* 2007;195:483-92.
274. Henle W, Henle G, Andersson J, et al.: Antibody responses to Epstein-Barr virus-determined nuclear antigen (EBNA)-1 and EBNA-2 in acute and chronic Epstein-Barr virus infection. *Proc Natl Acad Sci U S A* 1987;84:570-4.
275. Middeldorp JM, Meloen RH: Epitope-mapping on the Epstein-Barr virus major capsid protein using systematic synthesis of overlapping oligopeptides. *J Virol Methods* 1988;21:147-59.
276. van Grunsven WM, Spaan WJ, Middeldorp JM: Localization and diagnostic application of immunodominant domains of the BFRF3-encoded Epstein-Barr virus capsid protein. *J Infect Dis* 1994;170:13-9.
277. Chang C, Middeldorp J, Yu KJ, et al.: Characterization of ELISA detection of broad-spectrum anti-Epstein-Barr virus antibodies associated with nasopharyngeal carcinoma. *J Med Virol* 2013;85:524-9.
278. Tsuchiya S: Diagnosis of Epstein-Barr virus-associated diseases. *Crit Rev Oncol Hematol* 2002;44:227-38.
279. Orlova N, Fogg MH, Carville A, Wang F: Antibodies to lytic infection proteins in lymphocryptovirus-infected rhesus macaques: a model for humoral immune responses to Epstein-Barr virus infection. *Clin Vaccine Immunol* 2011;18:1427-34.
280. Meij P, Vervoort MB, Aarbiou J, et al.: Restricted low-level human antibody responses against Epstein-Barr virus (EBV)-encoded latent membrane protein 1 in a subgroup of patients with EBV-associated diseases. *J Infect Dis* 1999;179:1108-15.
281. Meij P, Vervoort MB, Bloemena E, et al.: Antibody responses to Epstein-Barr virus-encoded latent membrane protein-1 (LMP1) and expression of LMP1 in juvenile Hodgkin's disease. *J Med Virol* 2002;68:370-7.
282. Paramita DK, Fatmawati C, Juwana H, et al.: Humoral immune responses to Epstein-Barr virus encoded tumor associated proteins and their putative extracellular domains in nasopharyngeal carcinoma patients and regional controls. *J Med Virol* 2011;83:665-78.
283. Delbende C, Verwaerde C, Mougé A, Tranchand BD: Induction of therapeutic antibodies by vaccination against external loops of tumor-associated viral latent membrane protein. *J Virol* 2009;83:11734-45.
284. Chen HS, Lu F, Lieberman PM: Epigenetic regulation of EBV and KSHV latency. *Curr Opin Virol* 2013;3:251-9.
285. Robertson KD, Ambinder RF: Methylation of the Epstein-Barr virus genome in normal lymphocytes. *Blood* 1997;90:4480-4.
286. Tao Q, Swinnen LJ, Yang J, Srivastava G, Robertson KD, Ambinder RF: Methylation status of the Epstein-Barr virus major latent promoter C in iatrogenic B cell lymphoproliferative disease. Application of PCR-based analysis. *Am J Pathol* 1999;155:619-25.
287. Woellmer A, Hammerschmidt W: Epstein-Barr virus and host cell methylation: regulation of latency, replication and virus reactivation. *Curr Opin Virol* 2013;3:260-5.
288. Tellam J, Connolly G, Green KJ, et al.: Endogenous presentation of CD8+ T cell epitopes from Epstein-Barr virus-encoded nuclear antigen 1. *J Exp Med* 2004;199:1421-31.

289. Apcher S, Komarova A, Daskalogianni C, Yin Y, Malbert-Colas L, Fahraeus R: mRNA translation regulation by the Gly-Ala repeat of Epstein-Barr virus nuclear antigen 1. *J Virol* 2009;83:1289-98.
290. Yin Y, Manoury B, Fahraeus R: Self-inhibition of synthesis and antigen presentation by Epstein-Barr virus-encoded EBNA1. *Science* 2003;301:1371-4.
291. Kawanishi M: [Regulation of apoptosis by the latent infection membrane protein 1 of Epstein-Barr virus]. *Nihon Rinsho* 1997;55:305-10.
292. Fries KL, Miller WE, Raab-Traub N: Epstein-Barr virus latent membrane protein 1 blocks p53-mediated apoptosis through the induction of the A20 gene. *J Virol* 1996;70:8653-9.
293. Rowe M, Peng-Pilon M, Huen DS, et al.: Upregulation of bcl-2 by the Epstein-Barr virus latent membrane protein LMP1: a B-cell-specific response that is delayed relative to NF-kappa B activation and to induction of cell surface markers. *J Virol* 1994;68:5602-12.
294. Rowe M, Khanna R, Jacob CA, et al.: Restoration of endogenous antigen processing in Burkitt's lymphoma cells by Epstein-Barr virus latent membrane protein-1: coordinate up-regulation of peptide transporters and HLA-class I antigen expression. *Eur J Immunol* 1995;25:1374-84.
295. Horst D, Favalaro V, Vilardi F, et al.: EBV protein BNLF2a exploits host tail-anchored protein integration machinery to inhibit TAP. *J Immunol* 2011;186:3594-605.
296. Croft NP, Shannon-Lowe C, Bell AI, et al.: Stage-specific inhibition of MHC class I presentation by the Epstein-Barr virus BNLF2a protein during virus lytic cycle. *PLoS Pathog* 2009;5:e1000490.
297. Horst D, van LD, Croft NP, et al.: Specific targeting of the EBV lytic phase protein BNLF2a to the transporter associated with antigen processing results in impairment of HLA class I-restricted antigen presentation. *J Immunol* 2009;182:2313-24.
298. Hislop AD, Rensing ME, van LD, et al.: A CD8+ T cell immune evasion protein specific to Epstein-Barr virus and its close relatives in Old World primates. *J Exp Med* 2007;204:1863-73.
299. Zuo J, Thomas W, van LD, et al.: The DNase of gammaherpesviruses impairs recognition by virus-specific CD8+ T cells through an additional host shutoff function. *J Virol* 2008;82:2385-93.
300. Rowe M, Glaunsinger B, van LD, et al.: Host shutoff during productive Epstein-Barr virus infection is mediated by BGLF5 and may contribute to immune evasion. *Proc Natl Acad Sci U S A* 2007;104:3366-71.
301. Zuo J, Currin A, Griffin BD, et al.: The Epstein-Barr virus G-protein-coupled receptor contributes to immune evasion by targeting MHC class I molecules for degradation. *PLoS Pathog* 2009;5:e1000255.
302. Griffin BD, Gram AM, Mulder A, et al.: EBV BILF1 evolved to downregulate cell surface display of a wide range of HLA class I molecules through their cytoplasmic tail. *J Immunol* 2013;190:1672-84.
303. Jochum S, Moosmann A, Lang S, Hammerschmidt W, Zeidler R: The EBV immunoevasins vL10 and BNLF2a protect newly infected B cells from immune recognition and elimination. *PLoS Pathog* 2012;8:e1002704.
304. Hsu DH, de Waal MR, Fiorentino DF, et al.: Expression of interleukin-10 activity by Epstein-Barr virus protein BCRF1. *Science* 1990;250:830-2.
305. Moore KW, de Waal MR, Coffman RL, O'Garra A: Interleukin-10 and the interleukin-10 receptor. *Annu Rev Immunol* 2001;19:683-765.
306. Zeidler R, Eissner G, Meissner P, et al.: Downregulation of TAP1 in B lymphocytes by cellular and Epstein-Barr virus-encoded interleukin-10. *Blood* 1997;90:2390-7.
307. Li D, Qian L, Chen C, et al.: Down-regulation of MHC class II expression through inhibition of CIITA transcription by lytic transactivator Zta during Epstein-Barr virus reactivation. *J Immunol* 2009;182:1799-809.
308. Guerreiro-Cacais AO, Li L, Donati D, et al.: Capacity of Epstein-Barr virus to infect monocytes and inhibit their development into dendritic cells is affected by the cell type supporting virus replication. *J Gen Virol* 2004;85:2767-78.
309. Rensing ME, van LD, Verreck FA, et al.: Interference with T cell receptor-HLA-DR interactions by Epstein-Barr virus gp42 results in reduced T helper cell recognition. *Proc Natl Acad Sci U S A* 2003;100:11583-8.
310. IARC: Proceedings of the IARC Working Group on the Evaluation of Carcinogenic Risks to Humans. Epstein-Barr Virus and Kaposi's Sarcoma Herpesvirus/Human Herpesvirus 8. Lyon, France, 17-24 June 1997. *IARC Monogr Eval Carcinog Risks Hum* 1997;70:1-492.
311. Henle G, Henle W, Diehl V: Relation of Burkitt's tumor-associated herpes-ytype virus to infectious mononucleosis. *Proc Natl Acad Sci U S A* 1968;59:94-101.
312. Vouloumanou EK, Rafailidis PI, Falagas ME: Current diagnosis and management of infectious mononucleosis. *Curr Opin Hematol* 2012;19:14-20.
313. Vetsika EK, Callan M: Infectious mononucleosis and Epstein-Barr virus. *Expert Rev Mol Med* 2004;6:1-16.
314. Straus SE, Cohen JI, Tosato G, Meier J: NIH conference. Epstein-Barr virus infections: biology, pathogenesis, and management. *Ann Intern Med* 1993;118:45-58.
315. Callan MF, Steven N, Krausa P, et al.: Large clonal expansions of CD8+ T cells in acute infectious mononucleosis. *Nat Med* 1996;2:906-11.
316. Henle W, Henle GE, Horwitz CA: Epstein-Barr virus specific diagnostic tests in infectious mononucleosis. *Hum Pathol* 1974;5:551-65.

317. Horwitz CA, Henle W, Henle G, Rudnick H, Latts E: Long-term serological follow-up of patients for Epstein-Barr virus after recovery from infectious mononucleosis. *J Infect Dis* 1985;151:1150-3.
318. Ooka T, de Turenne-Tessier M, Stolzenberg MC: Relationship between antibody production to Epstein-Barr virus (EBV) early antigens and various EBV-related diseases. *Springer Semin Immunopathol* 1991;13:233-47.
319. Berth M, Vanheule G, Depuydt C, Benoy I: Serum Epstein-Barr virus (EBV) viral load can be a complementary sensitive test in primary Epstein-Barr virus infection. *J Clin Virol* 2011;50:184-5.
320. Okano M, Matsumoto S, Osato T, Sakiyama Y, Thiele GM, Purtilo DT: Severe chronic active Epstein-Barr virus infection syndrome. *Clin Microbiol Rev* 1991;4:129-35.
321. Nichols KE, Ma CS, Cannons JL, Schwartzberg PL, Tangye SG: Molecular and cellular pathogenesis of X-linked lymphoproliferative disease. *Immunol Rev* 2005;203:180-99.
322. Webster-Cyriaque J, Middeldorp J, Raab-Traub N: Hairy leukoplakia: an unusual combination of transforming and permissive Epstein-Barr virus infections. *J Virol* 2000;74:7610-8.
323. Carbone A, Cesarman E, Spina M, Ghoghini A, Schulz TF: HIV-associated lymphomas and gamma-herpesviruses. *Blood* 2009;113:1213-24.
324. Wagner-Johnston ND, Ambinder RF: Epstein-Barr virus-related lymphoproliferative disorders. *Curr Hematol Malig Rep* 2007;2:249-54.
325. Ambinder RF: Posttransplant lymphoproliferative disease: pathogenesis, monitoring, and therapy. *Curr Oncol Rep* 2003;5:359-63.
326. Haque T, Crawford DH: Role of donor versus recipient type Epstein-Barr virus in post-transplant lymphoproliferative disorders. *Springer Semin Immunopathol* 1998;20:375-87.
327. Stevens SJ, Verschuuren EA, Verkuuijen SA, van den Brule AJ, Meijer CJ, Middeldorp JM: Role of Epstein-Barr virus DNA load monitoring in prevention and early detection of post-transplant lymphoproliferative disease. *Leuk Lymphoma* 2002;43:831-40.
328. Greijer AE, Stevens SJ, Verkuuijen SA, et al.: Variable EBV DNA load distributions and heterogeneous EBV mRNA expression patterns in the circulation of solid organ versus stem cell transplant recipients. *Clin Dev Immunol* 2012;2012:543085.
329. Meijer E, Cornelissen JJ: Epstein-Barr virus-associated lymphoproliferative disease after allogeneic haematopoietic stem cell transplantation: molecular monitoring and early treatment of high-risk patients. *Curr Opin Hematol* 2008;15:576-85.
330. Burkitt D: A sarcoma involving the jaws in African children. *Br J Surg* 1958;46:218-23.
331. Neri A, Barriga F, Inghirami G, et al.: Epstein-Barr virus infection precedes clonal expansion in Burkitt's and acquired immunodeficiency syndrome-associated lymphoma. *Blood* 1991;77:1092-5.
332. Magrath I, Jain V, Bhatia K: Epstein-Barr virus and Burkitt's lymphoma. *Semin Cancer Biol* 1992;3:285-95.
333. Fujita S, Buziba N, Kumatori A, Senba M, Yamaguchi A, Toriyama K: Early stage of Epstein-Barr virus lytic infection leading to the "starry sky" pattern formation in endemic Burkitt lymphoma. *Arch Pathol Lab Med* 2004;128:549-52.
334. Koppers R, la-Favera R: Mechanisms of chromosomal translocations in B cell lymphomas. *Oncogene* 2001;20:5580-94.
335. la-Favera R, Lombardi L, Pelicci PG, Lanfrancone L, Cesarman E, Neri A: Mechanism of activation and biological role of the c-myc oncogene in B-cell lymphomagenesis. *Ann N Y Acad Sci* 1987;511:207-18.
336. Chene A, Donati D, Guerreiro-Cacais AO, et al.: A molecular link between malaria and Epstein-Barr virus reactivation. *PLoS Pathog* 2007;3:e80.
337. Xue SA, Labrecque LG, Lu QL, et al.: Promiscuous expression of Epstein-Barr virus genes in Burkitt's lymphoma from the central African country Malawi. *Int J Cancer* 2002;99:635-43.
338. Kelly GL, Milner AE, Baldwin GS, Bell AI, Rickinson AB: Three restricted forms of Epstein-Barr virus latency counteracting apoptosis in c-myc-expressing Burkitt lymphoma cells. *Proc Natl Acad Sci U S A* 2006;103:14935-40.
339. Niedobitek G, Agathangelou A, Rowe M, et al.: Heterogeneous expression of Epstein-Barr virus latent proteins in endemic Burkitt's lymphoma. *Blood* 1995;86:659-65.
340. Harris NL: Hodgkin's lymphomas: classification, diagnosis, and grading. *Semin Hematol* 1999;36:220-32.
341. Harris NL, Jaffe ES, Diebold J, et al.: The World Health Organization classification of neoplasms of the hematopoietic and lymphoid tissues: report of the Clinical Advisory Committee meeting--Airlie House, Virginia, November, 1997. *Hematol J* 2000;1:53-66.
342. Glaser SL, Lin RJ, Stewart SL, et al.: Epstein-Barr virus-associated Hodgkin's disease: epidemiologic characteristics in international data. *Int J Cancer* 1997;70:375-82.
343. Keegan TH, Clarke CA, Chang ET, Shema SJ, Glaser SL: Disparities in survival after Hodgkin lymphoma: a population-based study. *Cancer Causes Control* 2009;20:1881-92.
344. Kapatai G, Murray P: Contribution of the Epstein Barr virus to the molecular pathogenesis of Hodgkin lymphoma. *J Clin Pathol* 2007;60:1342-9.
345. Koppers R: B cells under influence: transformation of B cells by Epstein-Barr virus. *Nat Rev Immunol* 2003;3:801-12.
346. Keegan TH, Glaser SL, Clarke CA, et al.: Epstein-Barr virus as a marker of survival after Hodgkin's lymphoma: a population-based study. *J Clin Oncol* 2005;23:7604-13.
347. Kwon JM, Park YH, Kang JH, et al.: The effect of Epstein-Barr virus status on clinical outcome in Hodgkin's lymphoma. *Ann Hematol* 2006;85:463-8.

348. Herling M, Rassidakis GZ, Vassilakopoulos TP, Medeiros LJ, Sarris AH: Impact of LMP-1 expression on clinical outcome in age-defined subgroups of patients with classical Hodgkin lymphoma. *Blood* 2006;107:1240.
349. Baumforth KR, Birgersdotter A, Reynolds GM, et al.: Expression of the Epstein-Barr virus-encoded Epstein-Barr virus nuclear antigen 1 in Hodgkin's lymphoma cells mediates Up-regulation of CCL20 and the migration of regulatory T cells. *Am J Pathol* 2008;173:195-204.
350. Portis T, Dyck P, Longnecker R: Epstein-Barr Virus (EBV) LMP2A induces alterations in gene transcription similar to those observed in Reed-Sternberg cells of Hodgkin lymphoma. *Blood* 2003;102:4166-78.
351. Bechtel D, Kurth J, Unkel C, Kuppers R: Transformation of BCR-deficient germinal-center B cells by EBV supports a major role of the virus in the pathogenesis of Hodgkin and posttransplantation lymphomas. *Blood* 2005;106:4345-50.
352. Kvale G, Hoiby EA, Pedersen E: Hodgkin's disease in patients with previous infectious mononucleosis. *Int J Cancer* 1979;23:593-7.
353. Fischer E, Delibrias C, Kazatchkine MD: Expression of CR2 (the C3dg/EBV receptor, CD21) on normal human peripheral blood T lymphocytes. *J Immunol* 1991;146:865-9.
354. Jones JF, Shurin S, Abramowsky C, et al.: T-cell lymphomas containing Epstein-Barr viral DNA in patients with chronic Epstein-Barr virus infections. *N Engl J Med* 1988;318:733-41.
355. Jaccard A, Hermine O: Extranodal natural killer/T-cell lymphoma: advances in the management. *Curr Opin Oncol* 2011;23:429-35.
356. Kanegane H, Miyawaki T, Yachie A, Oh-Ishi T, Bhatia K, Tosato G: Development of EBV-positive T-cell lymphoma following infection of peripheral blood T cells with EBV. *Leuk Lymphoma* 1999;34:603-7.
357. Weiss LM, Jaffe ES, Liu XF, Chen YY, Shibata D, Medeiros LJ: Detection and localization of Epstein-Barr viral genomes in angioimmunoblastic lymphadenopathy and angioimmunoblastic lymphadenopathy-like lymphoma. *Blood* 1992;79:1789-95.
358. Minarovits J, Hu LF, Imai S, et al.: Clonality, expression and methylation patterns of the Epstein-Barr virus genomes in lethal midline granulomas classified as peripheral angiocentric T cell lymphomas. *J Gen Virol* 1994;75 (Pt 1):77-84.
359. Suzumiya J, Takeshita M, Kimura N, et al.: Expression of adult and fetal natural killer cell markers in sinonasal lymphomas. *Blood* 1994;83:2255-60.
360. Ho FC, Srivastava G, Loke SL, et al.: Presence of Epstein-Barr virus DNA in nasal lymphomas of B and 'T' cell type. *Hematol Oncol* 1990;8:271-81.
361. Kimura H: Pathogenesis of chronic active Epstein-Barr virus infection: is this an infectious disease, lymphoproliferative disorder, or immunodeficiency? *Rev Med Virol* 2006;16:251-61.
362. Kanegane H, Nomura K, Miyawaki T, Tosato G: Biological aspects of Epstein-Barr virus (EBV)-infected lymphocytes in chronic active EBV infection and associated malignancies. *Crit Rev Oncol Hematol* 2002;44:239-49.
363. Henle W, Henle G: The sero-epidemiology of Epstein-Barr virus. *Adv Pathobiol* 1976;5:17.
364. Busson P, McCoy R, Sadler R, Gilligan K, Tursz T, Raab-Traub N: Consistent transcription of the Epstein-Barr virus LMP2 gene in nasopharyngeal carcinoma. *J Virol* 1992;66:3257-62.
365. Decaussin G, Sbih-Lammali F, de Turenne-Tessier M, Bouguermouh A, Ooka T: Expression of BARRF1 gene encoded by Epstein-Barr virus in nasopharyngeal carcinoma biopsies. *Cancer Res* 2000;60:5584-8.
366. Gilligan KJ, Rajadurai P, Lin JC, et al.: Expression of the Epstein-Barr virus BamHI A fragment in nasopharyngeal carcinoma: evidence for a viral protein expressed in vivo. *J Virol* 1991;65:6252-9.
367. Khabir A, Karray H, Rodriguez S, et al.: EBV latent membrane protein 1 abundance correlates with patient age but not with metastatic behavior in north African nasopharyngeal carcinomas. *Virol J* 2005;2:39.
368. Al-Sarraf M, LeBlanc M, Giri PG, et al.: Chemoradiotherapy versus radiotherapy in patients with advanced nasopharyngeal cancer: phase III randomized Intergroup study 0099. *J Clin Oncol* 1998;16:1310-7.
369. Yu MC, Ho JH, Lai SH, Henderson BE: Cantonese-style salted fish as a cause of nasopharyngeal carcinoma: report of a case-control study in Hong Kong. *Cancer Res* 1986;46:956-61.
370. Henle W, Henle G, Ho HC, et al.: Antibodies to Epstein-Barr virus in nasopharyngeal carcinoma, other head and neck neoplasms, and control groups. *J Natl Cancer Inst* 1970;44:225-31.
371. Yu MC, Garabrant DH, Huang TB, Henderson BE: Occupational and other non-dietary risk factors for nasopharyngeal carcinoma in Guangzhou, China. *Int J Cancer* 1990;45:1033-9.
372. Yu MC, Mo CC, Chong WX, Yeh FS, Henderson BE: Preserved foods and nasopharyngeal carcinoma: a case-control study in Guangxi, China. *Cancer Res* 1988;48:1954-9.
373. Zeng Y, Zhong JM, Ye SQ, et al.: Screening of Epstein-Barr virus early antigen expression inducers from Chinese medicinal herbs and plants. *Biomed Environ Sci* 1994;7:50-5.
374. Daoud J, Toumi N, Bouaziz M, et al.: Nasopharyngeal carcinoma in childhood and adolescence: analysis of a series of 32 patients treated with combined chemotherapy and radiotherapy. *Eur J Cancer* 2003;39:2349-54.
375. Khabir A, Sellami A, Sakka M, et al.: Contrasted frequencies of p53 accumulation in the two age groups of North African nasopharyngeal carcinomas. *Clin Cancer Res* 2000;6:3932-6.
376. Chang ET, Adami HO: The enigmatic epidemiology of nasopharyngeal carcinoma. *Cancer Epidemiol Biomarkers Prev* 2006;15:1765-77.

377. Henle W, Ho HC, Henle G, Kwan HC: Antibodies to Epstein-Barr virus-related antigens in nasopharyngeal carcinoma. Comparison of active cases with long-term survivors. *J Natl Cancer Inst* 1973;51:361-9.
378. Henle G, Henle W: Epstein-Barr virus-specific IgA serum antibodies as an outstanding feature of nasopharyngeal carcinoma. *Int J Cancer* 1976;17:1-7.
379. Gulley ML, Tang W: Laboratory assays for Epstein-Barr virus-related disease. *J Mol Diagn* 2008;10:279-92.
380. Stevens SJ, Vervoort MB, van den Brule AJ, Meenhof PL, Meijer CJ, Middeldorp JM: Monitoring of Epstein-Barr virus DNA load in peripheral blood by quantitative competitive PCR. *J Clin Microbiol* 1999;37:2852-7.
381. Stevens SJ, Verkuijlen SA, Hariwiyanto B, et al.: Diagnostic value of measuring Epstein-Barr virus (EBV) DNA load and carcinoma-specific viral mRNA in relation to anti-EBV immunoglobulin A (IgA) and IgG antibody levels in blood of nasopharyngeal carcinoma patients from Indonesia. *J Clin Microbiol* 2005;43:3066-73.
382. Lo YM, Chan LY, Chan AT, et al.: Quantitative and temporal correlation between circulating cell-free Epstein-Barr virus DNA and tumor recurrence in nasopharyngeal carcinoma. *Cancer Res* 1999;59:5452-5.
383. Lo YM, Chan LY, Lo KW, et al.: Quantitative analysis of cell-free Epstein-Barr virus DNA in plasma of patients with nasopharyngeal carcinoma. *Cancer Res* 1999;59:1188-91.
384. Sheen TS, Ko JY, Chang YL, et al.: Nasopharyngeal swab and PCR for the screening of nasopharyngeal carcinoma in the endemic area: a good supplement to the serologic screening. *Head Neck* 1998;20:732-8.
385. Tune CE, Liavaag PG, Freeman JL, et al.: Nasopharyngeal brush biopsies and detection of nasopharyngeal cancer in a high-risk population. *J Natl Cancer Inst* 1999;91:796-800.
386. Adham M, Greijer AE, Verkuijlen SA, et al.: Epstein-Barr virus DNA load in nasopharyngeal brushings and whole blood in nasopharyngeal carcinoma patients before and after treatment. *Clin Cancer Res* 2013;19:2175-86.
387. Burke AP, Yen TS, Shekitka KM, Sobin LH: Lymphoepithelial carcinoma of the stomach with Epstein-Barr virus demonstrated by polymerase chain reaction. *Mod Pathol* 1990;3:377-80.
388. Shibata D, Weiss LM: Epstein-Barr virus-associated gastric adenocarcinoma. *Am J Pathol* 1992;140:769-74.
389. Takada K: Epstein-Barr virus and gastric carcinoma. *Mol Pathol* 2000;53:255-61.
390. Takano Y, Kato Y, Saegusa M, et al.: The role of the Epstein-Barr virus in the oncogenesis of EBV(+) gastric carcinomas. *Virchows Arch* 1999;434:17-22.
391. Yamamoto N, Tokunaga M, Uemura Y, et al.: Epstein-Barr virus and gastric remnant cancer. *Cancer* 1994;74:805-9.
392. van Beek J, zur Hausen A, Klein KE, et al.: EBV-positive gastric adenocarcinomas: a distinct clinicopathologic entity with a low frequency of lymph node involvement. *J Clin Oncol* 2004;22:664-70.
393. van Beek J, zur Hausen A, Snel SN, et al.: Morphological evidence of an activated cytotoxic T-cell infiltrate in EBV-positive gastric carcinoma preventing lymph node metastases. *Am J Surg Pathol* 2006;30:59-65.
394. Sugiura M, Imai S, Tokunaga M, et al.: Transcriptional analysis of Epstein-Barr virus gene expression in EBV-positive gastric carcinoma: unique viral latency in the tumour cells. *Br J Cancer* 1996;74:625-31.
395. zur Hausen A, Brink AA, Craanen ME, Middeldorp JM, Meijer CJ, van den Brule AJ: Unique transcription pattern of Epstein-Barr virus (EBV) in EBV-carrying gastric adenocarcinomas: expression of the transforming BARF1 gene. *Cancer Res* 2000;60:2745-8.
396. Luo B, Wang Y, Wang XF, et al.: Expression of Epstein-Barr virus genes in EBV-associated gastric carcinomas. *World J Gastroenterol* 2005;11:629-33.
397. Hino R, Uozaki H, Murakami N, et al.: Activation of DNA methyltransferase 1 by EBV latent membrane protein 2A leads to promoter hypermethylation of PTEN gene in gastric carcinoma. *Cancer Res* 2009;69:2766-74.
398. Kaneda A, Kaminishi M, Yanagihara K, Sugimura T, Ushijima T: Identification of silencing of nine genes in human gastric cancers. *Cancer Res* 2002;62:6645-50.
399. Ushiku T, Chong JM, Uozaki H, et al.: p73 gene promoter methylation in Epstein-Barr virus-associated gastric carcinoma. *Int J Cancer* 2007;120:60-6.
400. Chang MS, Uozaki H, Chong JM, et al.: CpG island methylation status in gastric carcinoma with and without infection of Epstein-Barr virus. *Clin Cancer Res* 2006;12:2995-3002.
401. zur Hausen A, van Rees BP, van BJ, et al.: Epstein-Barr virus in gastric carcinomas and gastric stump carcinomas: a late event in gastric carcinogenesis. *J Clin Pathol* 2004;57:487-91.
402. Fukayama M, Hayashi Y, Iwasaki Y, et al.: Epstein-Barr virus-associated gastric carcinoma and Epstein-Barr virus infection of the stomach. *Lab Invest* 1994;71:73-81.
403. Fukayama M: [Epstein-Barr virus and gastric carcinoma]. *Nihon Rinsho* 2012;70:1715-9.
404. Levine PH, Stemmermann G, Lennette ET, Hildesheim A, Shibata D, Nomura A: Elevated antibody titers to Epstein-Barr virus prior to the diagnosis of Epstein-Barr-virus-associated gastric adenocarcinoma. *Int J Cancer* 1995;60:642-4.
405. Shinkura R, Yamamoto N, Koriyama C, Shinmura Y, Eizuru Y, Tokunaga M: Epstein-Barr virus-specific antibodies in Epstein-Barr virus-positive and -negative gastric carcinoma cases in Japan. *J Med Virol* 2000;60:411-6.
406. Imai S, Koizumi S, Sugiura M, et al.: Gastric carcinoma: monoclonal epithelial malignant cells expressing Epstein-Barr virus latent infection protein. *Proc Natl Acad Sci U S A* 1994;91:9131-5.
407. Rowe M, Kelly GL, Bell AI, Rickinson AB: Burkitt's lymphoma: the Rosetta Stone deciphering Epstein-Barr virus biology. *Semin Cancer Biol* 2009;19:377-88.

